

# SC8.2e

SHORT COURSE

## BRUSHLESS

### Ready-To-Run

#### QUICK START GUIDE

**NOTE!** Before using your factory assembled SC8.2e RTR, review all instruction manuals and this quick-start guide.

#### Charge your battery pack



#### Battery Charging:

Plug in and charge your battery. Be sure to select the correct charging mode for the type of battery you are charging. ALWAYS charge a LiPo battery in LiPo mode. NEVER leave the battery unattended while charging!

Start here...



#### Install 6 AA batteries

Slide the bottom panel off of transmitter.

Install 6 AA batteries.

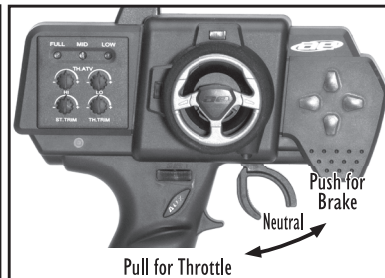
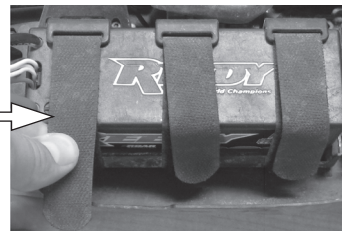
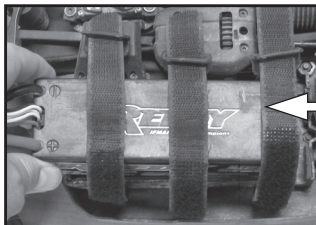
Re-install the bottom panel of transmitter.



#### Install battery pack

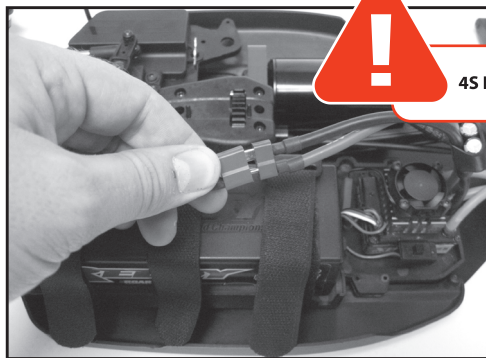
**Step 1:**  
Install the battery pack into the battery tray.

**Step 2:**  
Lock the battery strap into place with the hook and loop straps.



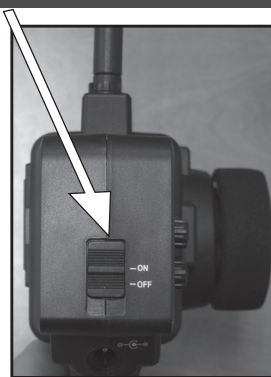
**Throttle set to neutral!**

#### Plug in the battery

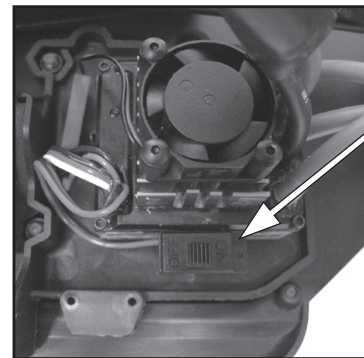


4S LiPo Maximum

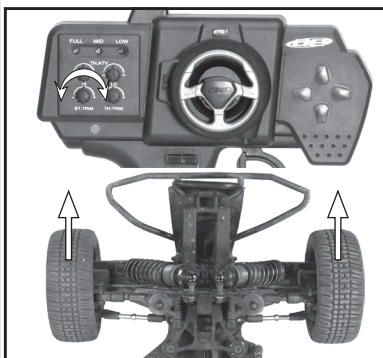
#### Transmitter on first! Raise the antenna.



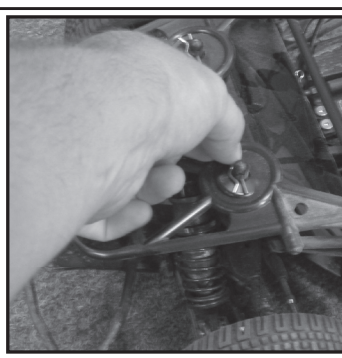
#### Vehicle on second!



#### Adjust steering trim



#### Install the rollage & body



**!** ALWAYS turn off the switch and unplug the battery when you are finished driving your vehicle, the vehicle is not in use, or the battery pack has died. Failure to do so may result in sudden acceleration, battery damage, or fire.

Contact Team Associated:  
**Associated Electrics, Inc.**  
26021 Commercentre Dr.  
Lake Forest, Ca 92630 USA  
[www.TeamAssociated.com](http://www.TeamAssociated.com)  
[www.RC10.com](http://www.RC10.com)

**Customer Support:**  
Tel: (949) 544-7500  
Fax: (949) 544-7501



# SC8.2e

SHORT COURSE

## Troubleshooting

### NOTE!

If you have any problems with the operation of your SC8.2e RTR racing vehicle, please consult the following list of common occurrences. If you are still experiencing difficulty, please contact us.

Description	Problem	Solution
No power	Battery is discharged.....	Charge battery.
	Battery not plugged in.....	Plug battery in.
	No light on speed control.....	Reset speed control using your instruction manual.
	Receiver LED remains red.....	Re-bind transmitter to the receiver
No throttle	Motor not plugged in.....	Plug motor in.
	Speed control out of adjustment.....	Reset speed control using your instruction manual.
	Motor failure.....	Replace motor.
No steering	Servo not plugged in.....	Plug servo in.
	Locked up steering linkage.....	Free up steering linkage.
	Servo failure.....	Replace servo.
Throttle	Goes backwards when you pull..... the trigger, or forward when pushing brakes/reverse.	Switch any two motor wires. Check throttle reversing switches on transmitter. Reset speed control.
Steering	Goes right when turning the wheel... left (or left when turned right.)	Check steering reversing switches on transmitter.
Vehicle is glitching	Vehicle has a problem on power.....	Check for loose wires.
	Vehicle takes off.....	Check for loose wires or dead radio batteries. Radio Interference.
Reverse	No reverse or brakes.....	Reset speed control, or send in for repair. Check that reverse mode has not been turned off. Refer to speed control instructions.
Vehicle dies or slows	Speed control overheats.....	Let speed control cool.
	Motor overheats.....	Let motor cool and check recommended gearing for motor type.
	Gear mesh set too tight.....	Reset gear mesh (see instruction manual).
	LiPo mode engages.....	LiPo mode on the ESC has engaged, recharge your batteries.