

# SC8.2e

SHORT COURSE

#80933 SC8.2e Rockstar/Makita RTR  
#80934 SC8.2e Lucas Slick Mist RTR



1:8 Scale Ready-To-Run Electric 4WD Off Road Race Truck Manual & Catalog 6/12

# TEAM ASSOCIATED



Designed in California, USA



## :: Introduction

Thank you for purchasing this Team Associated product. This manual contains instructions and tips for building and maintaining your new SC8.2e RTR. Please take a moment to read through it and familiarize yourself with these steps as they will help you to understand each component's function and show you some tips for getting the most out of your SC8.2e RTR. We are continually changing and improving our designs; therefore, actual parts may appear slightly different than the illustrations.

## :: SC8.2e Platform Features

- XP SC1300-BL ESC with Deans (TM) Ultra plug (works with 3S 11.1V or 4S 14.8V Lipo)
- Reedy 2000 KV motor
- RC8.2 racing suspension and shock towers
- One piece body mounts
- 16mm Big-Bore Molded Shocks with Pre-load Clips
- Functional full roll cage with integral dirt shields
- Upgraded Dual bell-crank steering with reduced bump-steer
- Authentic, scale 1.5mm thick short course truck body
- Black hard-anodized 7075 Alum. Chassis with keyed suspension plates
- 3mm Aluminum shock towers
- Alloy Steel Turnbuckles
- Caster blocks adjust 14, 16, or 18 degrees with molded inserts
- 10 mm thick arms
- Molded suspension pivot bushings for adjustable pivot height
- 4.30:1 ratio gearboxes
- Functional and realistic front and rear bumpers with mud flaps
- Scale Method racing wheels - optimized to fit most 1/10 scale short course tires on the market today
- Scale tires with foam inserts
- Rigid one-piece motor mount utilizes standard motor screw mounting pattern
- Large speed control mounting area raised off of chassis to allow for easy screw mounting of common speed controllers
- Speed control mounting area includes convenient switch-mounting boss
- Utilizes 3 hook-and-loop straps to secure LiPo batteries into battery tray
- Molded Battery tray supports 7.4 - 14.8V battery packs with room for foam pads
- Requires 3S 11.1 V or 4S 14.8 V LiPo battery pack with Deans (R) Ultra Plug (R) (recommended #626 LiPo 14.8V, 5500 mAh, 60C, #733 LiPo 14.8V, 3700mAh, 35C).
- New sealed receiver box for proper electronics placement
- Receiver, Servo, and battery tray remove from car in one piece for easy maintenance and cleaning
- Convenient wire routing keeps critical electronic wires out of drivetrain components and simplifies disassembly
- Includes pinion gear (17T) and molded spur gear (46T)

## :: Additional Items Needed

Your SC8.2e RTR requires the following items to complete your kit:

- Transmitter batteries (#302, 303 recommended)
- 3S 11.1v LiPo battery pack with Deans (TM) Ultra plug
- OR-
- 4S 14.8v LiPo battery pack with Deans (TM) Ultra plug (AE #626, 733)
- Battery charger (peak detection charger recommended) (AE #604)
- Needle nose pliers • Hobby knife • Reamer/hole punch • Ride Height Gauge (#1449 recommended)

## :: Other Helpful Items

- Silicone Shock Fluid / Differential Fluid (Refer to catalog for complete listings)
- Body Scissors (AE Part # 1737)
- FT Hex Wrenches (AE Part # 1541, 1655)
- FT Nut Drivers (AE Part #1561, 1663-1668)
- Wire cutters
- Multi Tool (AE Part #7494)
- Calipers or a Precision Ruler
- Soldering Iron
- FT Threadlock (#1596)
- FT Turnbuckle Wrench (#89240)
- Green Slime shock lube (AE Part # 1105)

**Associated Electrics, Inc.**  
**26021 Commercentre Dr.**  
**Lake Forest, CA 92630**



**Customer Service**  
**Tel: 949.544.7500**  
**Fax: 949.544.7501**

## :: Table of Contents

1.....Cover	25-26.....Shocks Install
2.....Introduction	26-31.....Radio Tray Assembly
3.....Table of Contents	31-33.....Roll Cage Assembly
4-5.....Front and Rear Diff Assembly	33-34.....Wheel, Tires, and Body Assembly
6-7.....Center Diff Assembly	35-37.....TechTips
7-8.....Steering, Servo, and Rear Camber Links Assembly	38-49.....Catalog
8-10.....Shocks Assembly	49.....Contact Info
10.....Chassis Assembly	50.....Notes
10-12.....Steering Assembly	51.....Setup Sheet "Kit Setup"
12-13.....Front Gearbox Assembly	52.....1:1 Hardware "Fold Out"
14-18.....Front Suspension Assembly	53.....Setup Sheet "Blank"
19-20.....Rear Gearbox Assembly	54.....Back Cover
20-23.....Rear Suspension Assembly	
23-24.....Center Bulkhead Assembly	

## :: Notes



This symbol indicates a special note or instruction in the manual.



**There is a 1:1 hardware foldout page in the back of the manual. To check the size of a part, line up your hardware with the correct drawing until you find the exact size. Each part in the foldout has a number assigned to it for ordering replacement parts.**

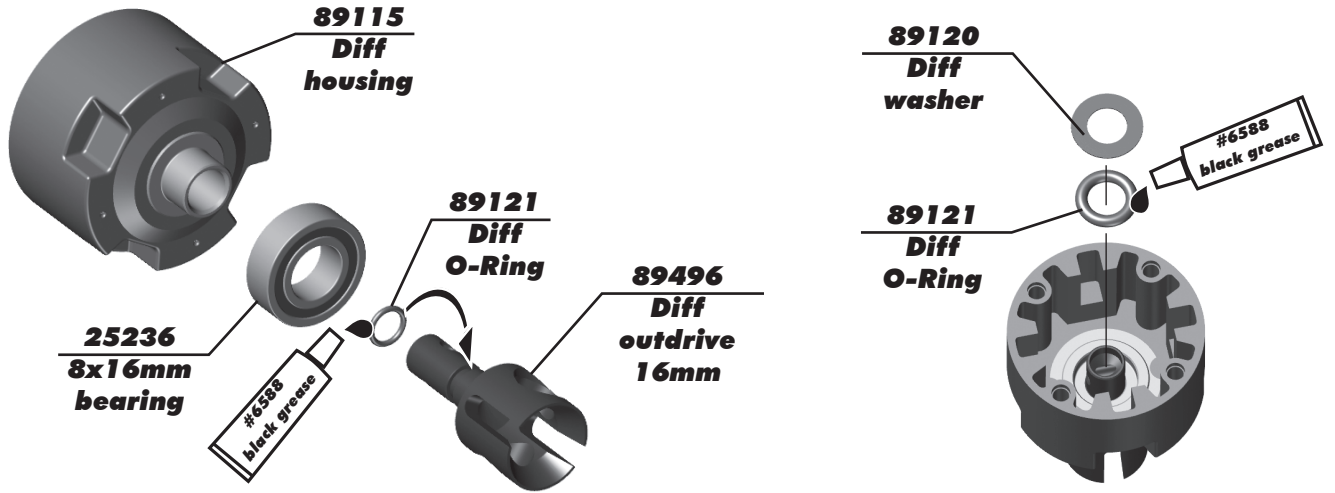
**Associated Electrics, Inc.**  
**26021 Commercentre Dr.**  
**Lake Forest, CA 92630**



**Customer Service**  
**Tel: 949.544.7500**  
**Fax: 949.544.7501**

<http://www.TeamAssociated.com> • <http://www.RC10.com> • [http://twitter.com/Team\\_Associated](http://twitter.com/Team_Associated) • <http://bit.ly/AEonFacebook>

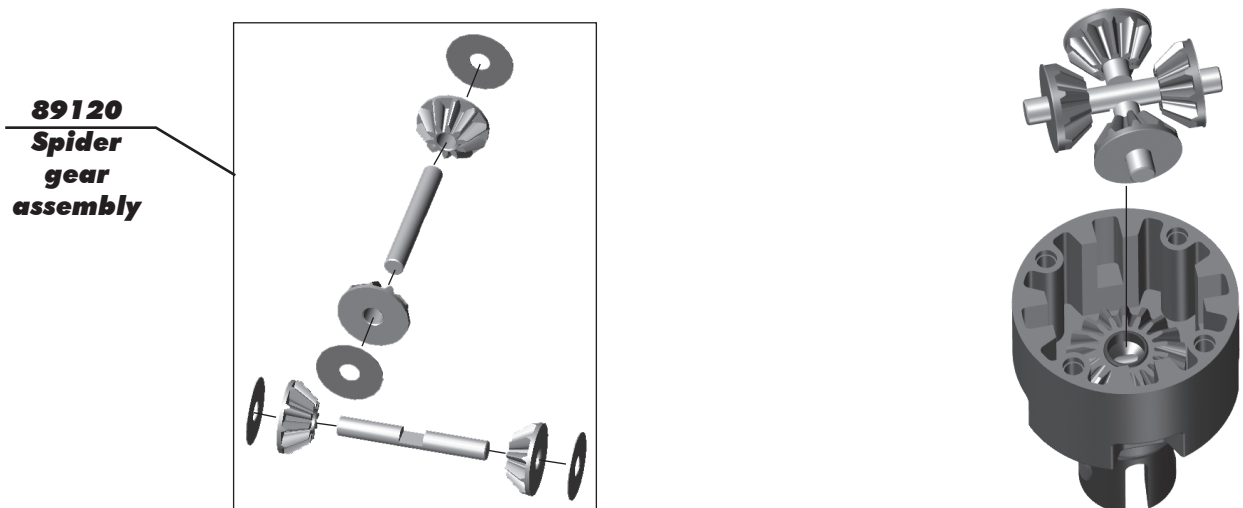
**:: Front/Rear Differential Assembly**



**:: Front/Rear Differential Assembly (cont.)**

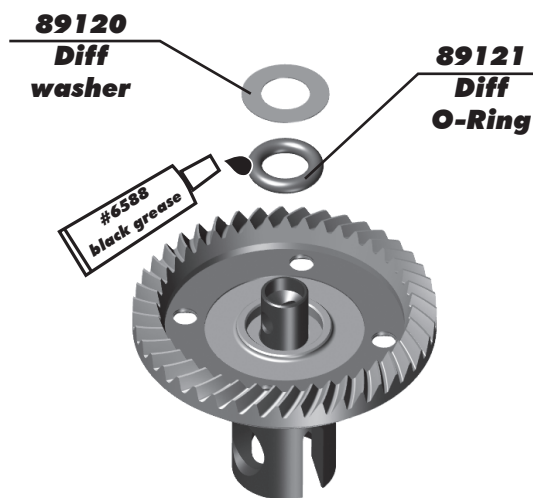
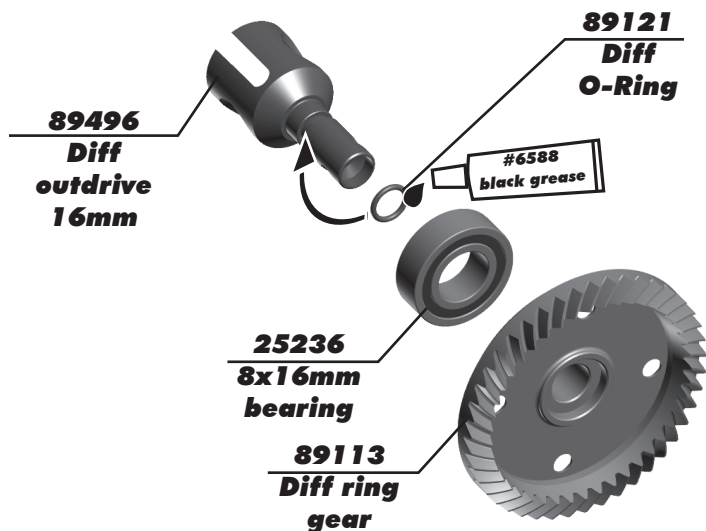


**:: Front/Rear Differential Assembly (cont.)**

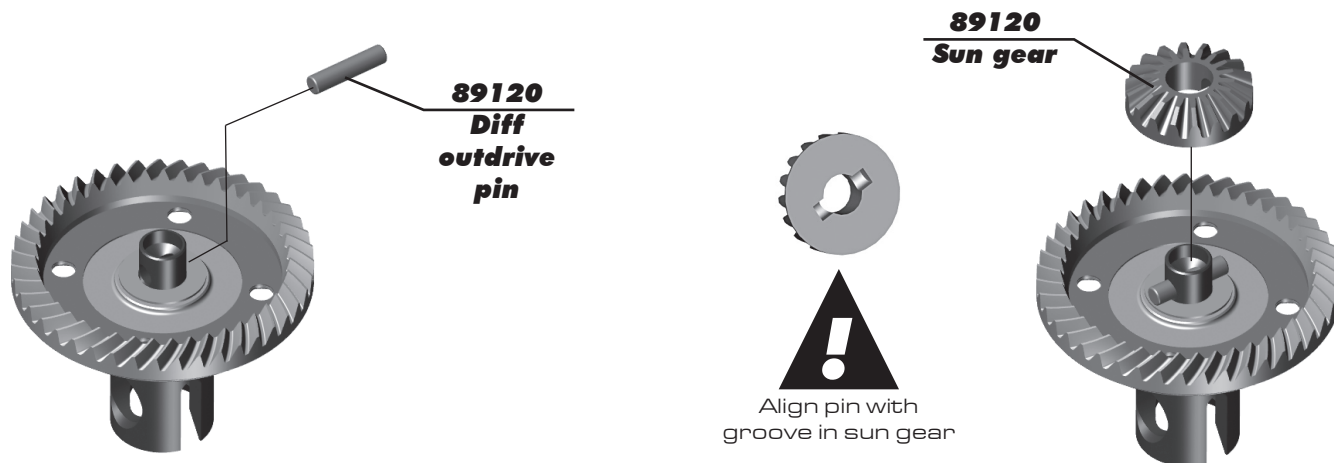




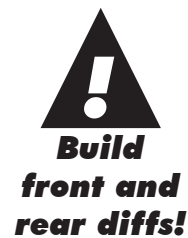
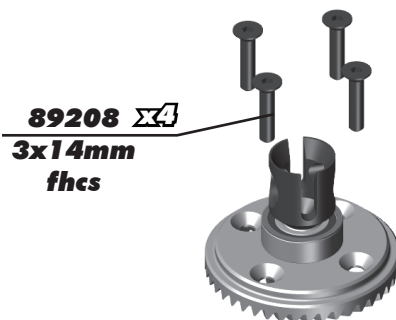
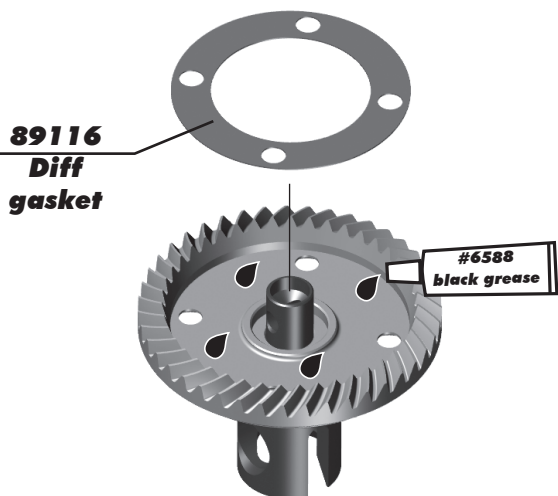
**:: Front/Rear Differential Assembly (cont.)**



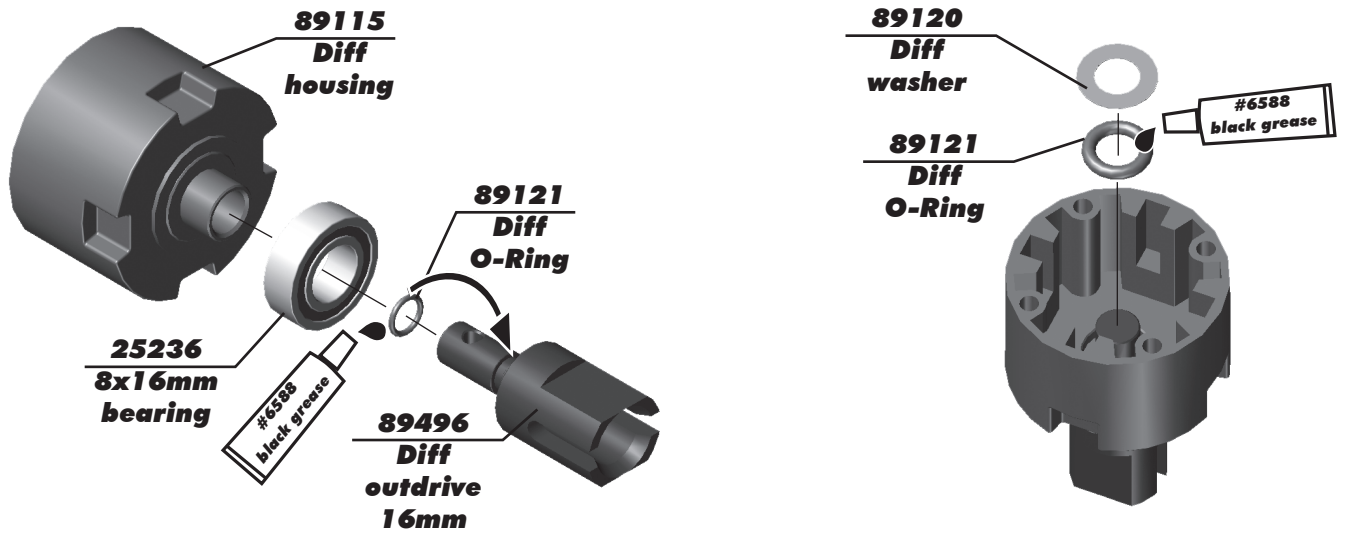
**:: Front/Rear Differential Assembly (cont.)**



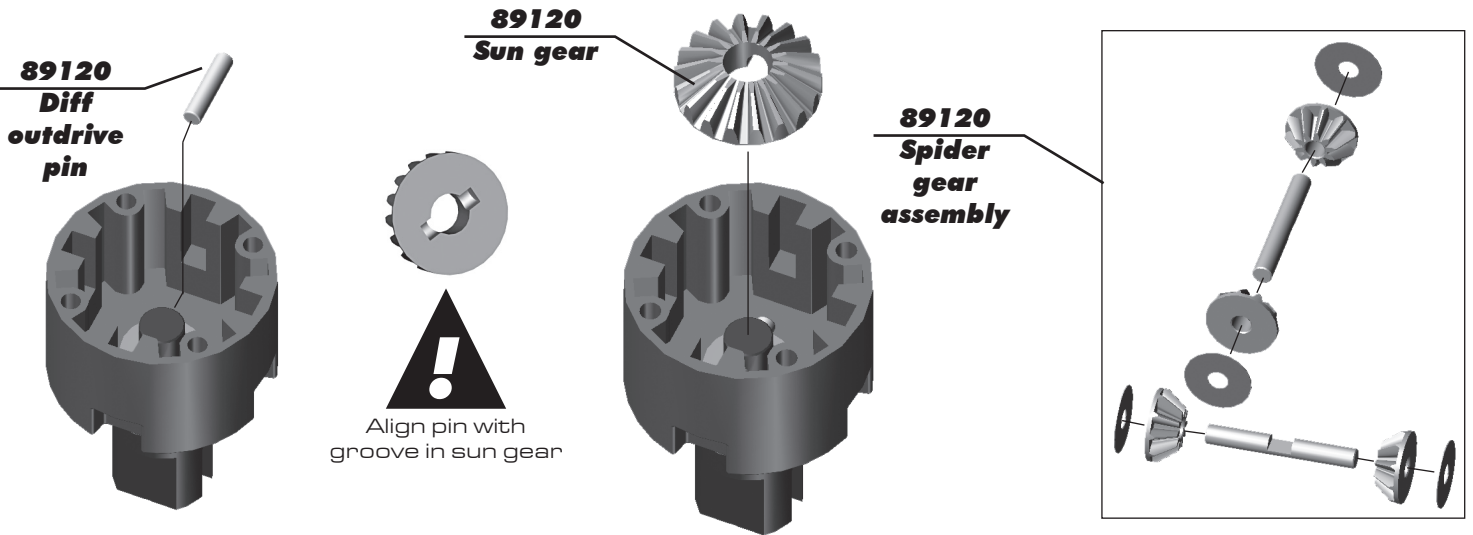
**:: Front/Rear Differential Assembly (cont.)**



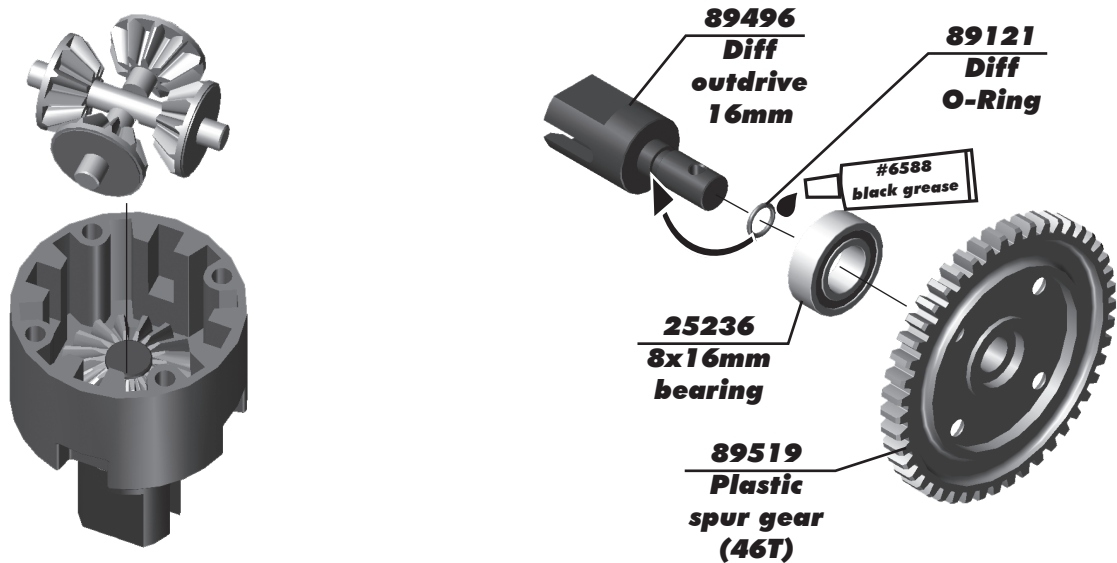
**:: Center Differential Assembly**



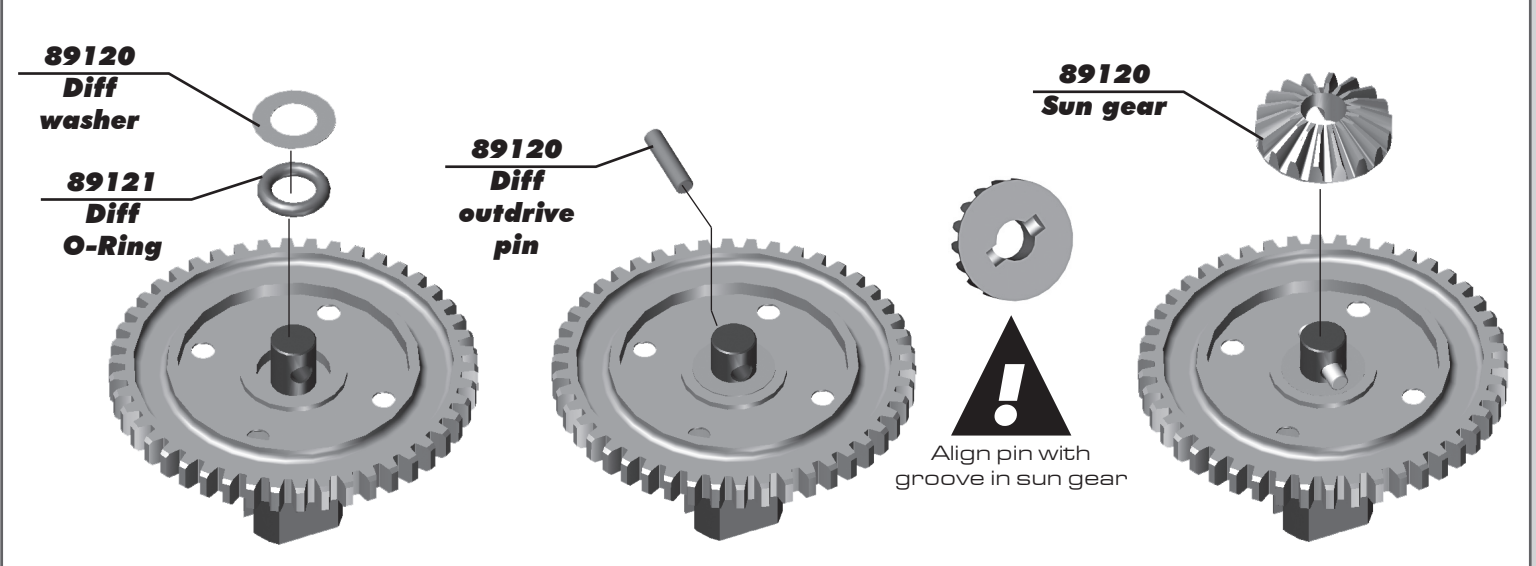
**:: Center Differential Assembly (cont.)**



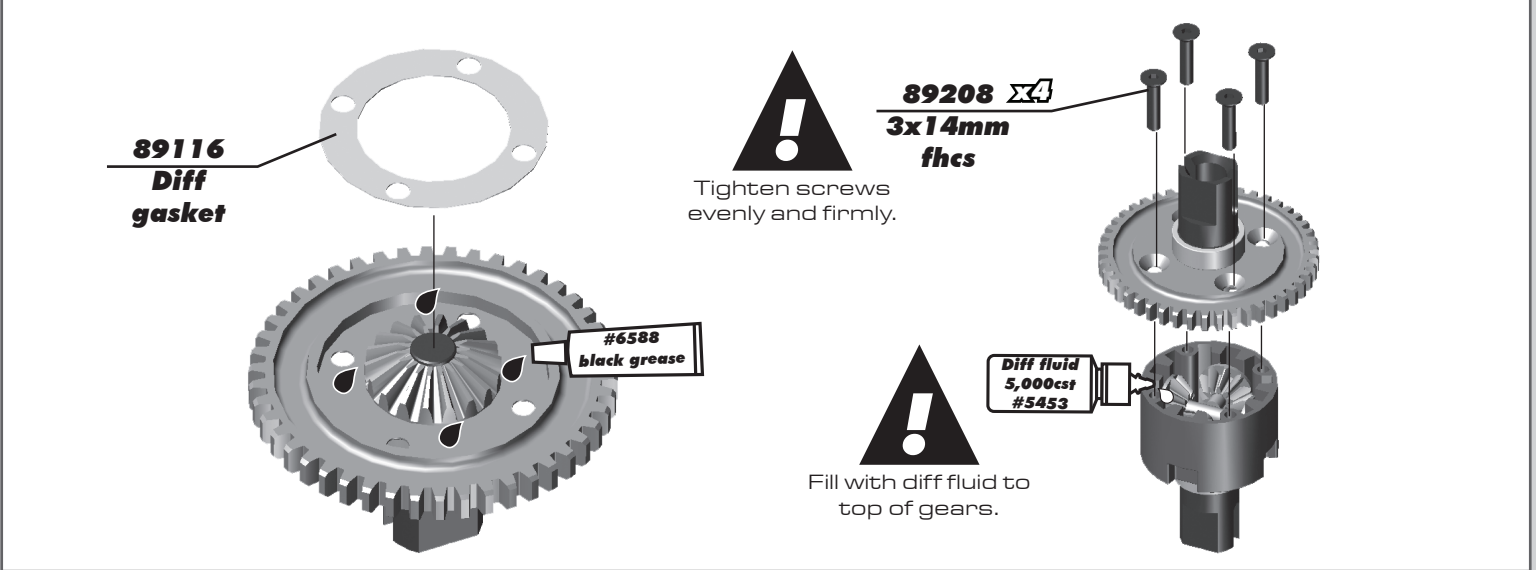
**:: Center Differential Assembly (cont.)**



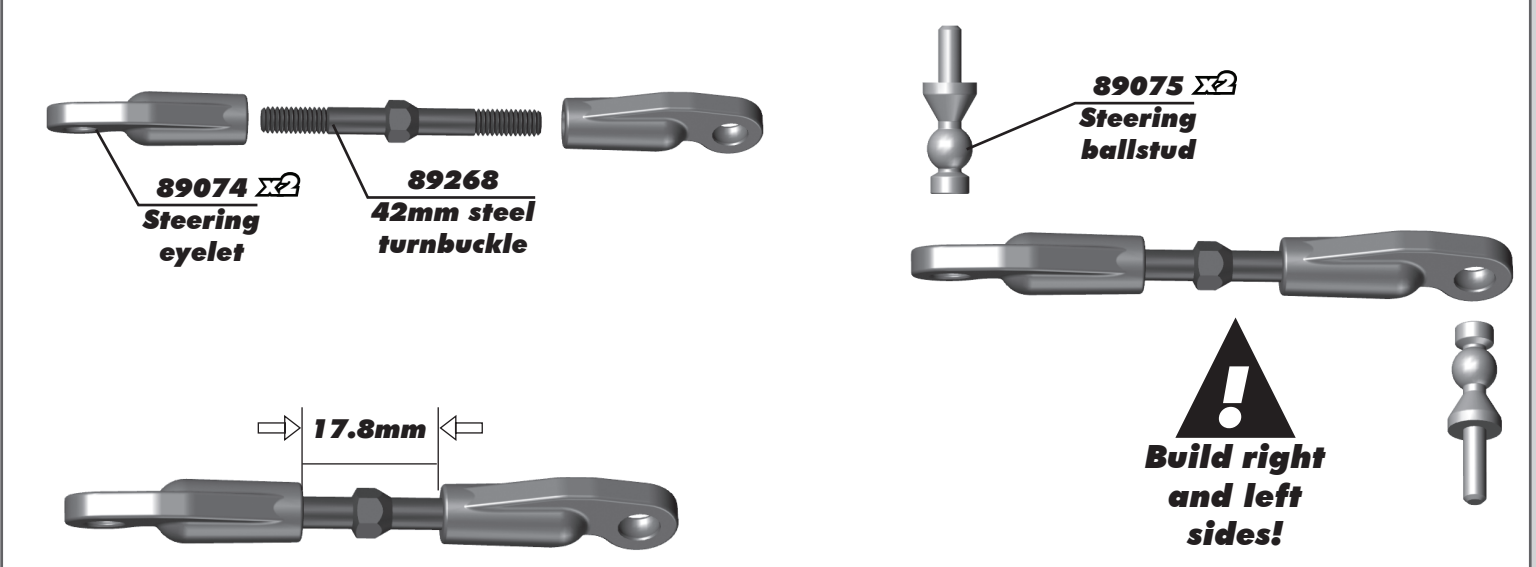
**:: Center Differential Assembly (cont.)**



**:: Center Differential Assembly (cont.)**



**:: Steering Turnbuckle Assembly**



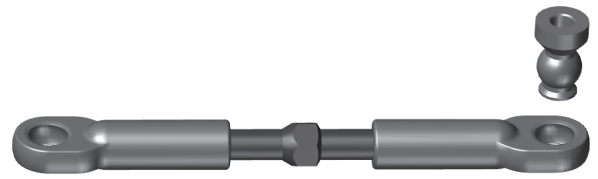


**:: Servo Link Assembly**

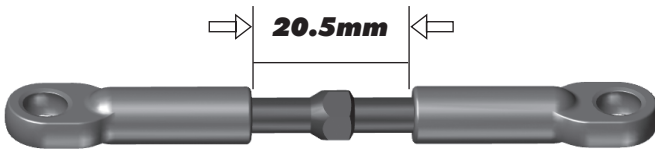


**89078**  $\Sigma 2$   
**Straight eyelet**

**89268**  
**42mm steel turnbuckle**



**89078**  $\Sigma 2$   
**balljoint**



20.5mm

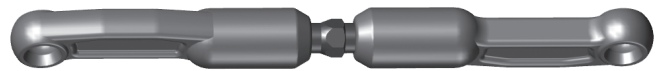
**:: Rear Camber Link Assembly**



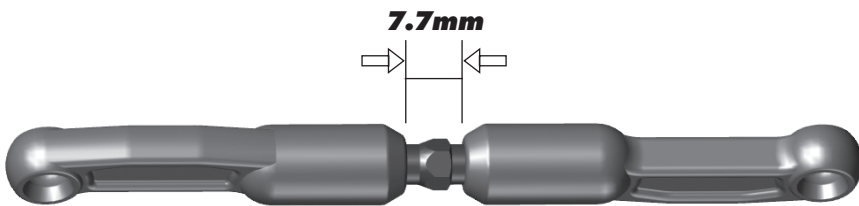
**89076**  $\Sigma 2$   
**Camber rod end**

**89269**  
**38mm steel turnbuckle**

**89076**  $\Sigma 2$   
**Camber pivot balls**



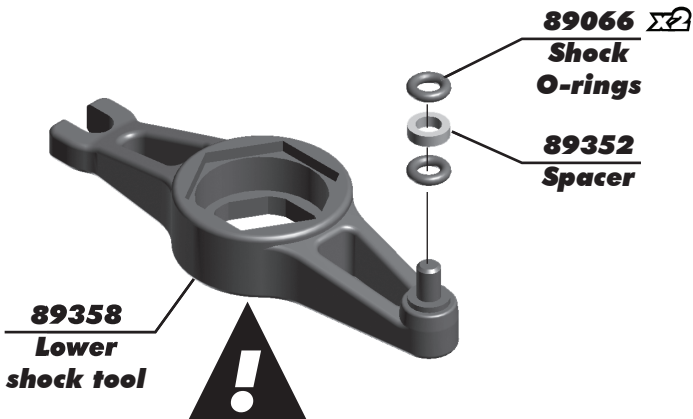
**89076**  $\Sigma 2$   
**Camber ball joints**



7.7mm

**!**  
**Build right and left sides!**

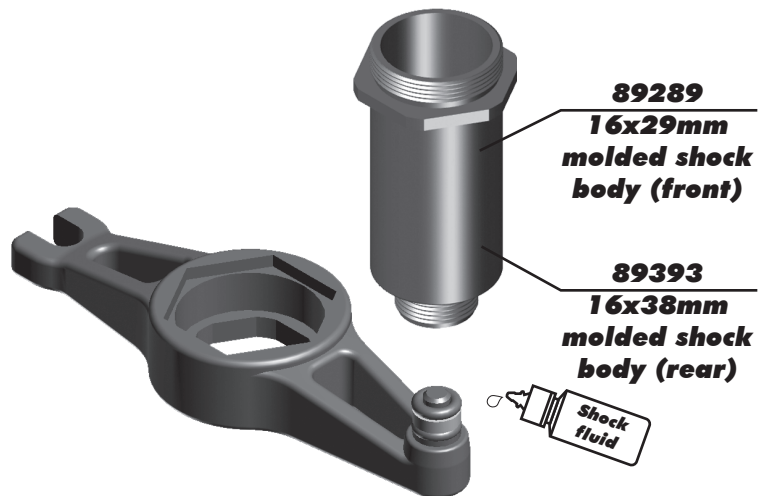
**:: Shock Assembly**



**89358**  
**Lower shock tool**

**89066**  $\Sigma 2$   
**Shock O-rings**

**89352**  
**Spacer**



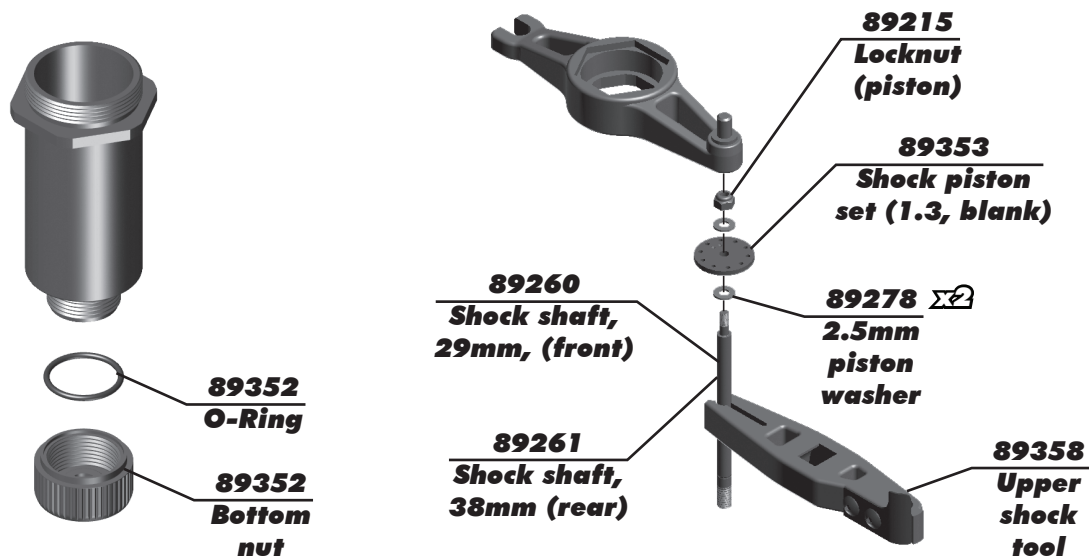
**89289**  
**16x29mm molded shock body (front)**

**89393**  
**16x38mm molded shock body (rear)**

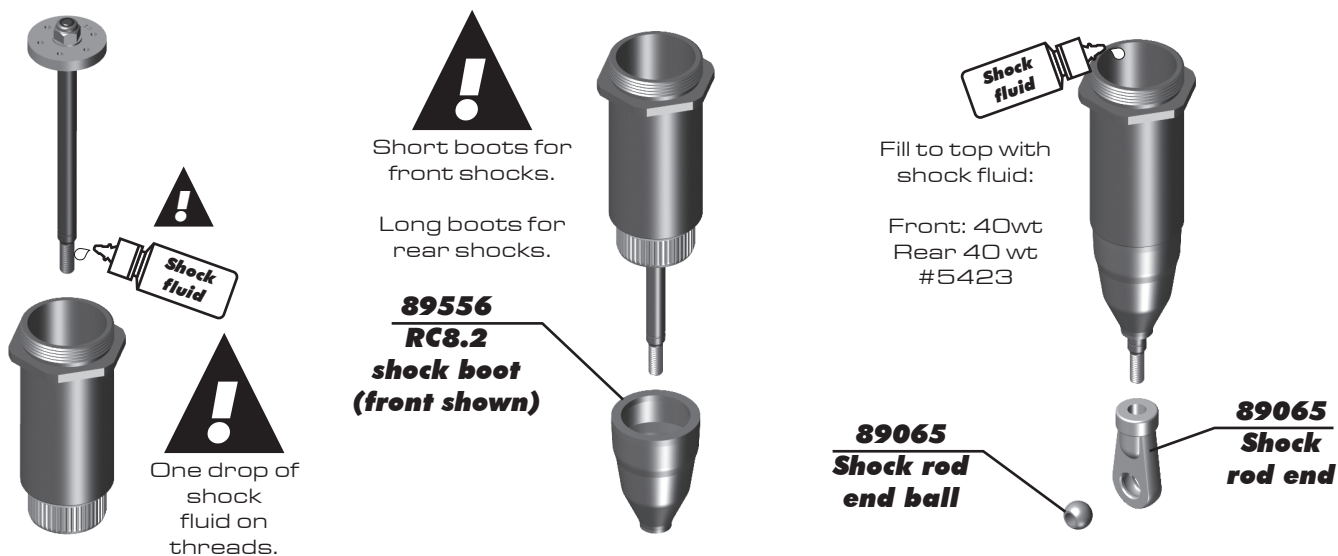
**Shock fluid**

Use the lower shock tool to load the two o-rings and spacer for easy lubing and installation into the shock body

**:: Shock Assembly - (cont.)**

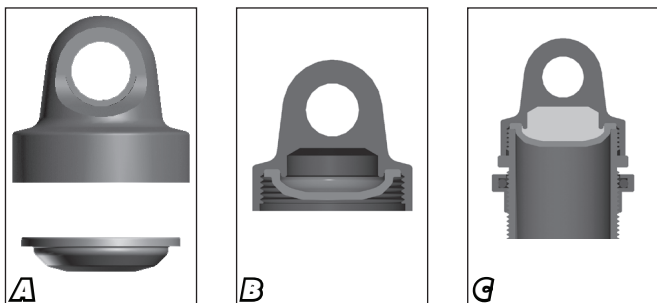


**:: Shock Assembly - (cont.)**



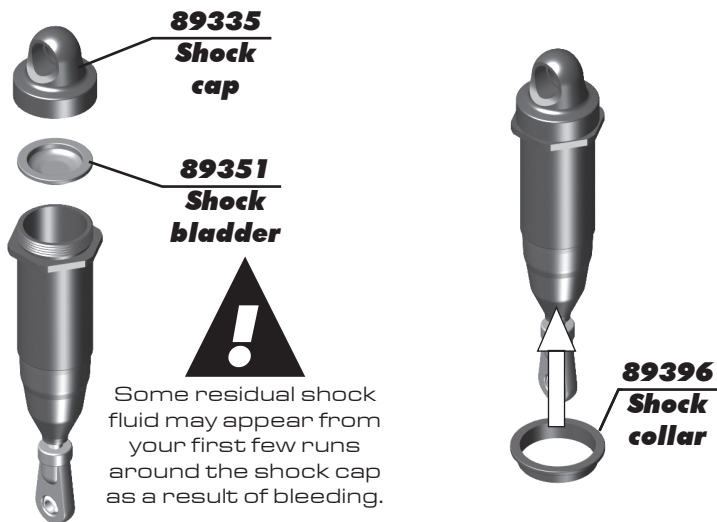
**:: Shock Assembly - (cont.)**

**Bladder Installation**



As you install the shock cap with the bladder, it will force out any extra fluid. If you install the cap with the shaft fully extended, you are running FULL REBOUND.

To run less rebound, unthread the cap 1-2 turns and compress the shaft to the desired position and re-tighten the cap with the shaft compressed. Start with no rebound.



**:: Shock Assembly - (cont.)**

**89294**  $\times 2$   
Front spring, bronze (4.7lbs) (short spring)

**89349**  $\times 2$   
Rear spring, bronze (4.0lbs) (long spring)

**89396**  
Shock pre-load clips

**89354**  
16mm shock spring cup

Front shock: 14mm  
Rear shock: 5mm

**89396**  
Shock pre-load clips

1mm  
2mm  
3mm  
5mm  
10mm

**Build two front and two rear shocks!**

**:: Chassis Assembly**

**89001**  $\times 2$   
Side guards (left & right)

**89450**  
SC8 chassis

**25201**  $\times 6$   
3x8mm fchs

Note: cut fuel tubing brace off of the left side guard.

**:: Steering Assembly**

**89010**  
Top plate (lower)

**89455**  
3x22mm fchs

**89451**  
Front chassis brace

**25215**  
M3 locknut

**89039**  $\times 2$   
Hinge pin bushing (2 dot up)

hinge pin bushing  
2 dot up

**25202**  
3x10mm fchs

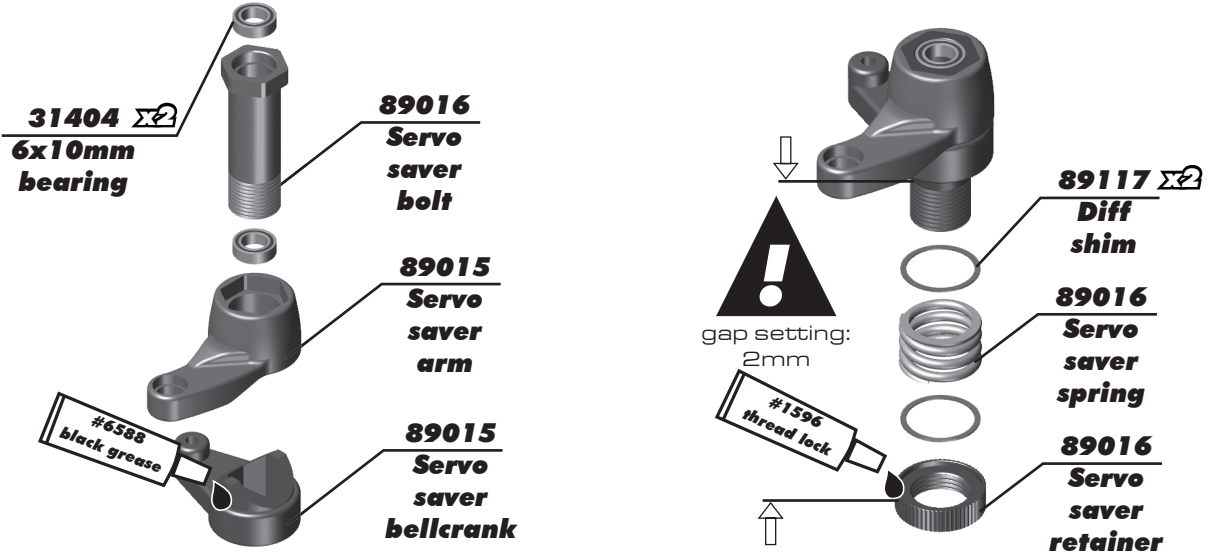
**25203**  $\times 4$   
3x12mm fchs

**89010**  
Top plate (upper)

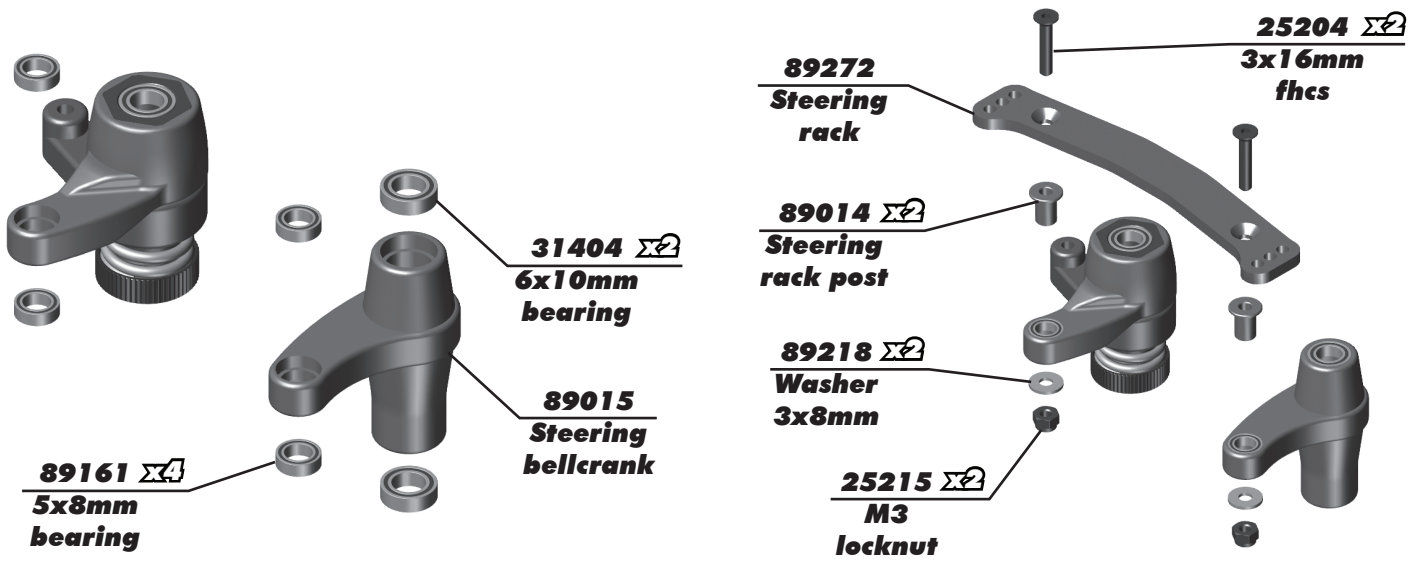
**25215**  $\times 4$   
M3 locknut



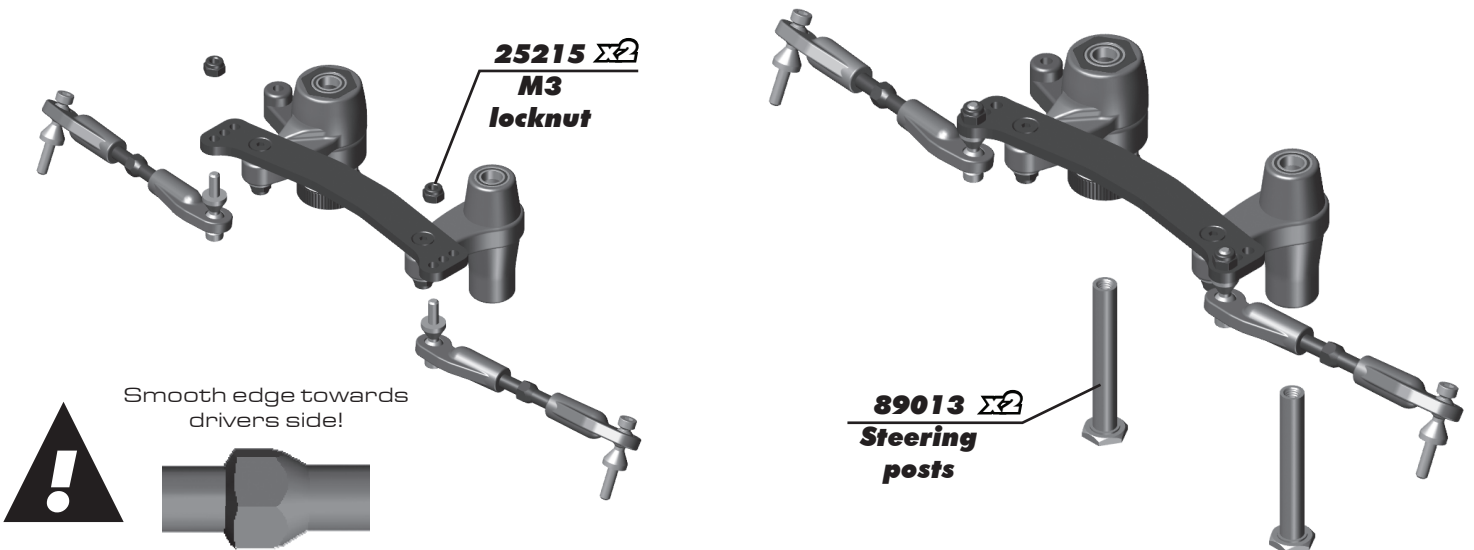
**:: Steering Assembly (cont.)**



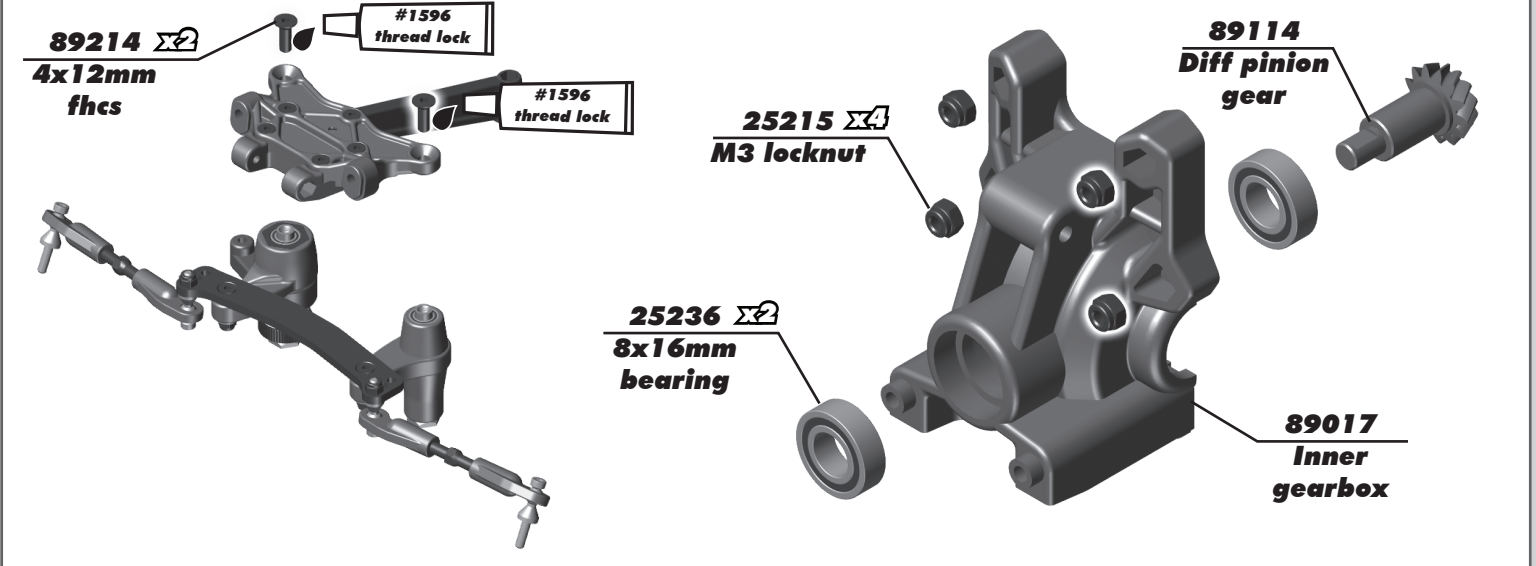
**:: Steering Assembly (cont.)**



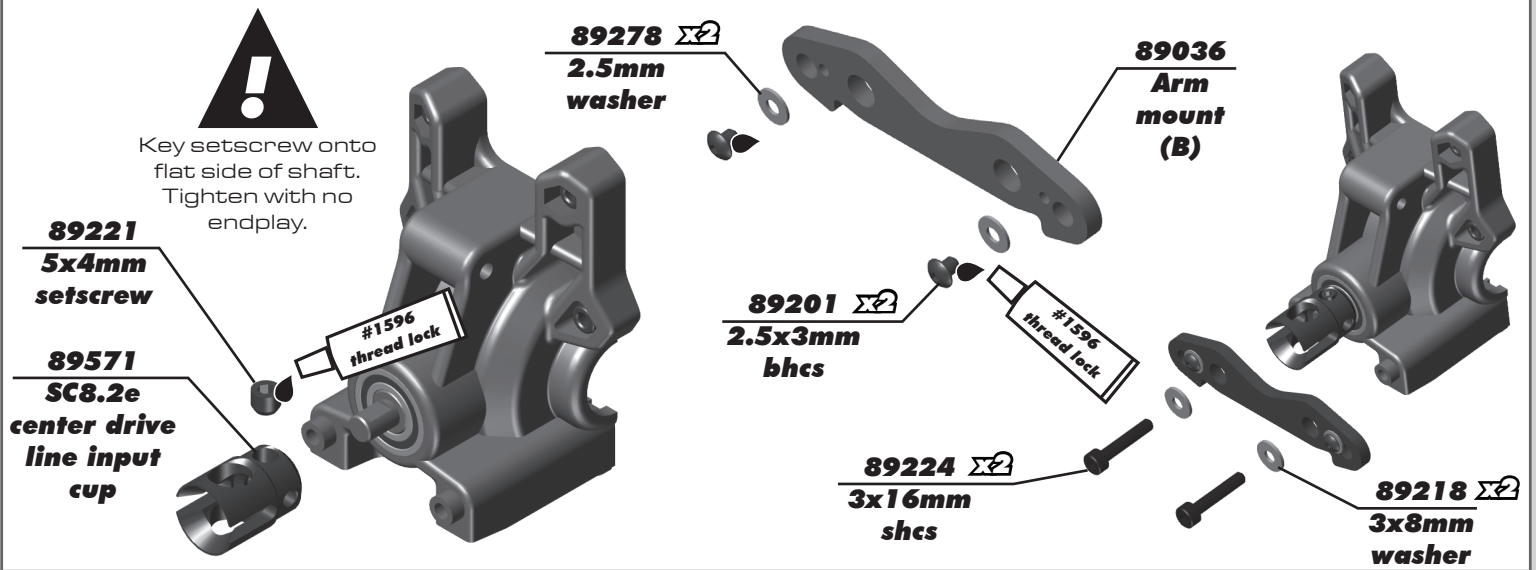
**:: Steering Assembly (cont.)**



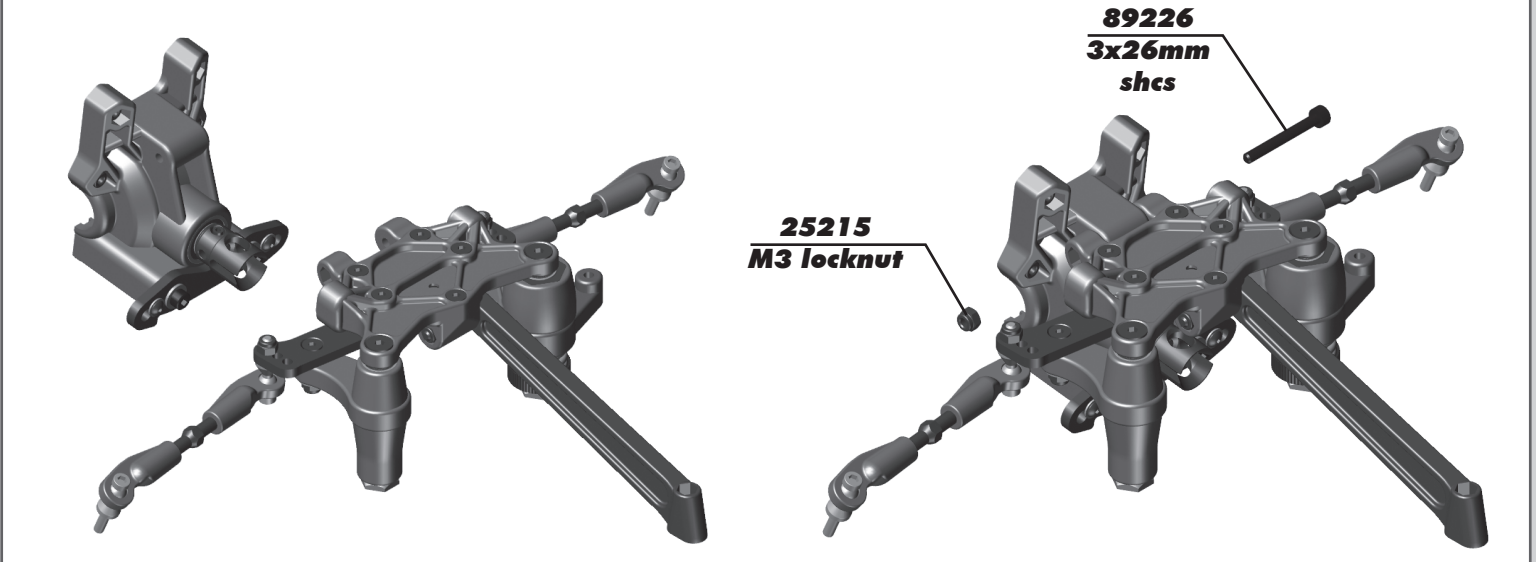
**:: Steering Assembly (cont.) / Front Gearbox Assembly**



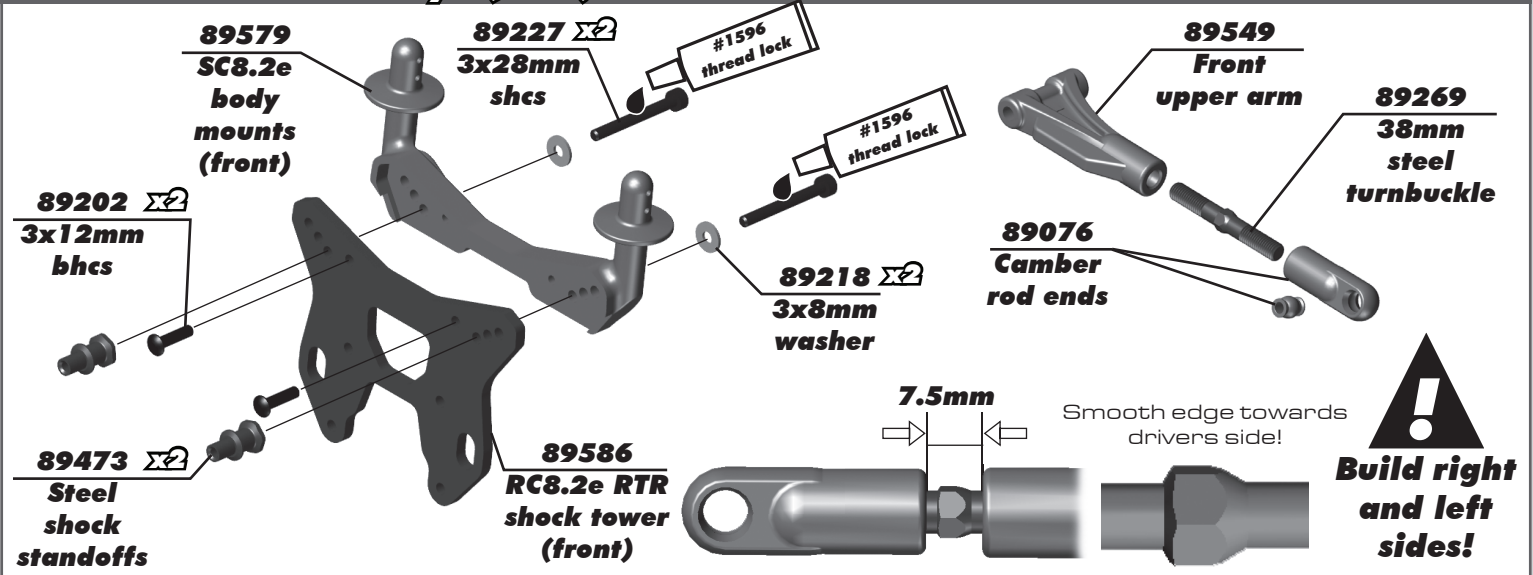
**:: Front Gearbox Assembly - (cont.)**



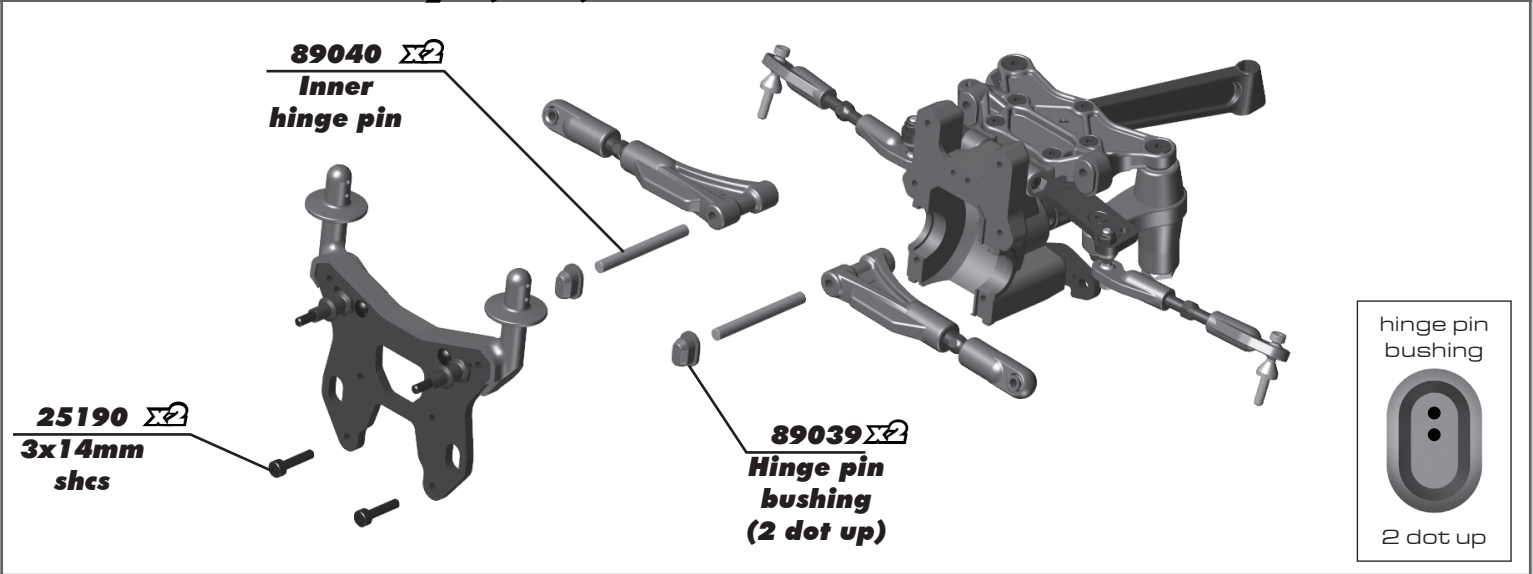
**:: Front Gearbox Assembly - (cont.)**



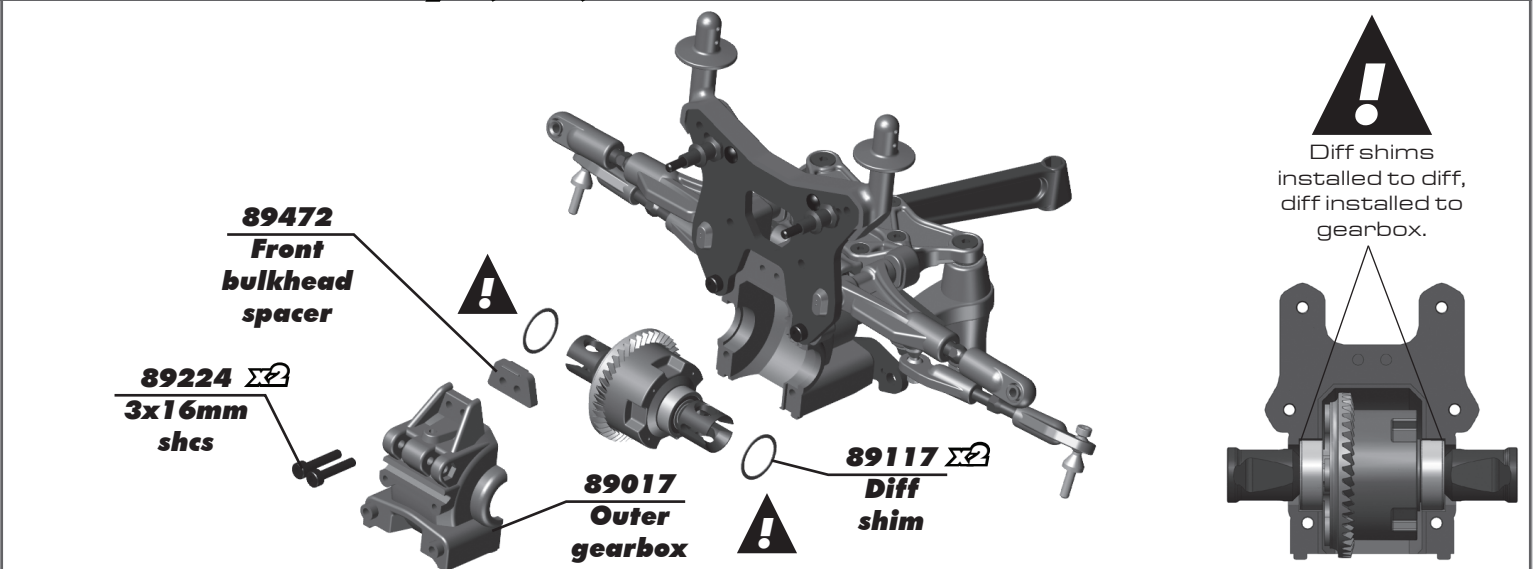
**:: Front Gearbox Assembly - (cont.)**



**:: Front Gearbox Assembly - (cont.)**

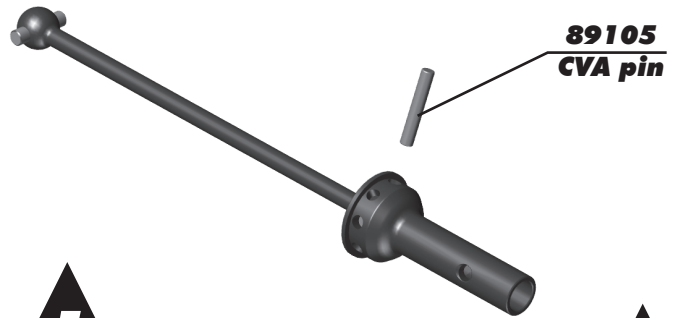
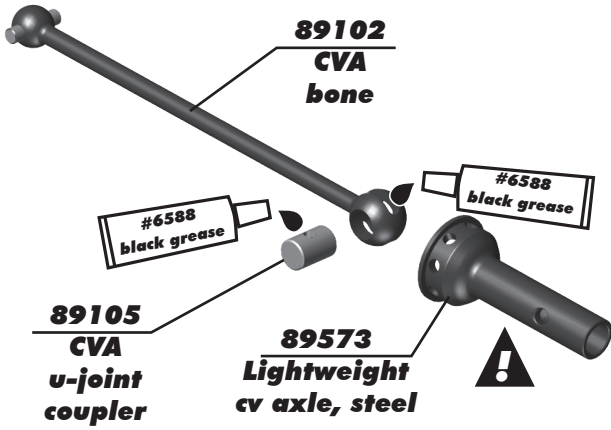


**:: Front Gearbox Assembly - (cont.)**





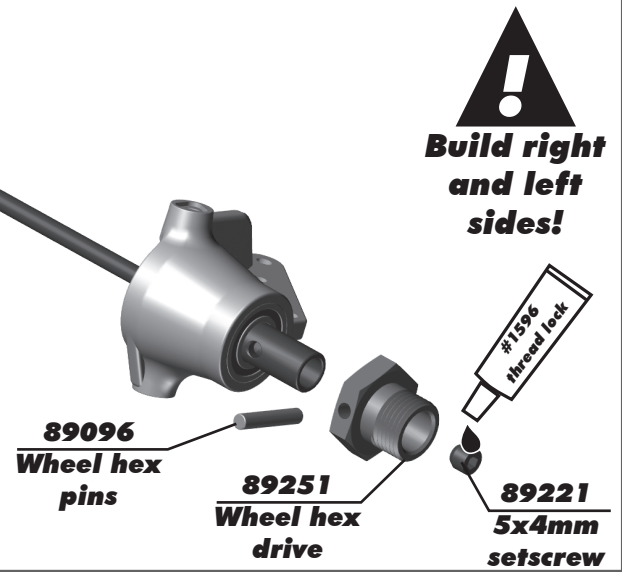
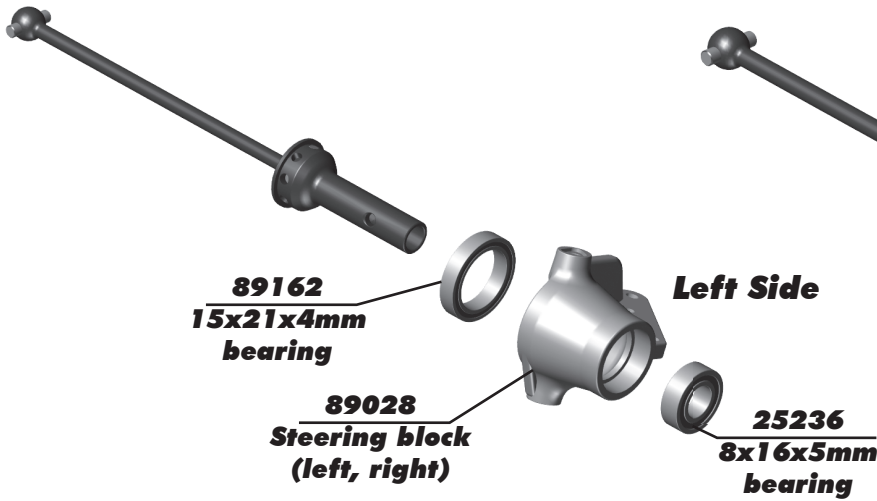
**:: Front Suspension Assembly**



**!**  
Axle has additional holes  
for crosspin to extend  
the life of the Axle.

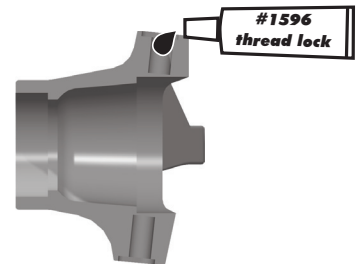
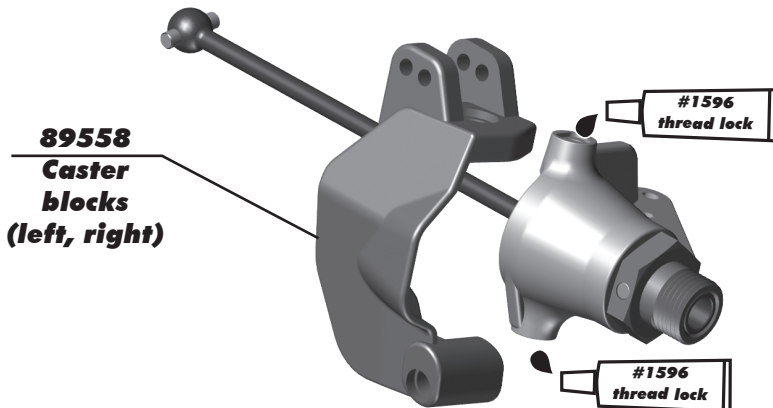
**!**  
**Build Two!**

**:: Front Suspension Assembly - (cont.)**



**!**  
**Build right  
and left  
sides!**

**:: Front Suspension Assembly - (cont.)**



Note:  
One drop only.  
Spread evenly  
inside the threads.

**:: Front Suspension Assembly - (cont.)**

**89029**  
Steering block bushing (short)

**89206**  
4x10mm bhcs

**89029**  
Steering block bushing (long)

**89207**  
4x12mm bhcs

Note: direction  
16 deg. blue  
red

**89032**  
16 deg. caster angle bushing (red)

**89032**  
16 deg. caster angle bushing (blue)

Note: Key bushings into steering block.

Do not tighten until bushing is keyed into steering block.

**Build right and left sides!**

**:: Front Suspension Assembly - (cont.)**

**89091**  
Swaybar joint

**89511**   
Swaybar eyelet

**4671**  
3x10mm setscrew

**89511**  
Swaybar ball joint

**89220**  
4x12mm setscrew

**25192**  
3x20mm shcs

**89550**  
RC8.2 front arms (left, right)

**Build Two!**

**Droop screw placement!**

**Build right and left sides!**

**:: Front Suspension Assembly - (cont.)**

**89041**  
Outer hinge pin

**31520**  
2.5x6mm bhcs

**89040**   
Inner hinge pin

**Build right and left sides!**

**:: Front Suspension Assembly - (cont.)**



**Build right  
and left  
sides!**

hinge pin  
bushing



2 dot  
down

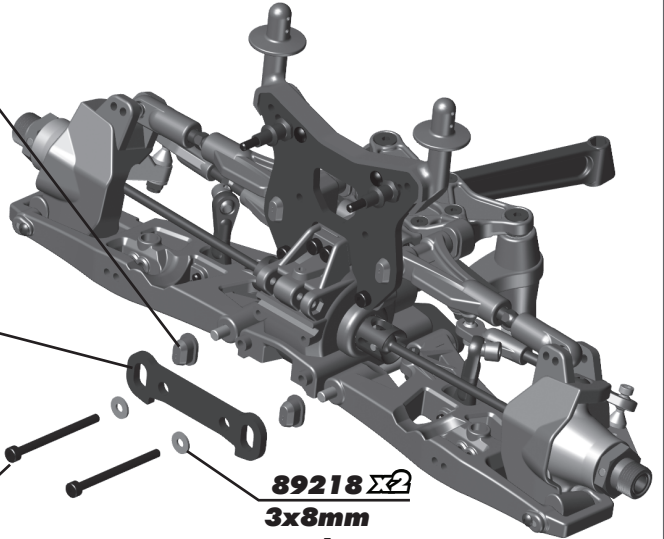
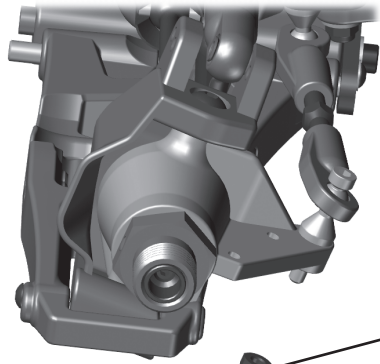
**89039**  $\Sigma 2$   
**Hinge pin  
bushings  
(two dot,  
down)**

**89035**  
**Arm  
mount  
(A)**

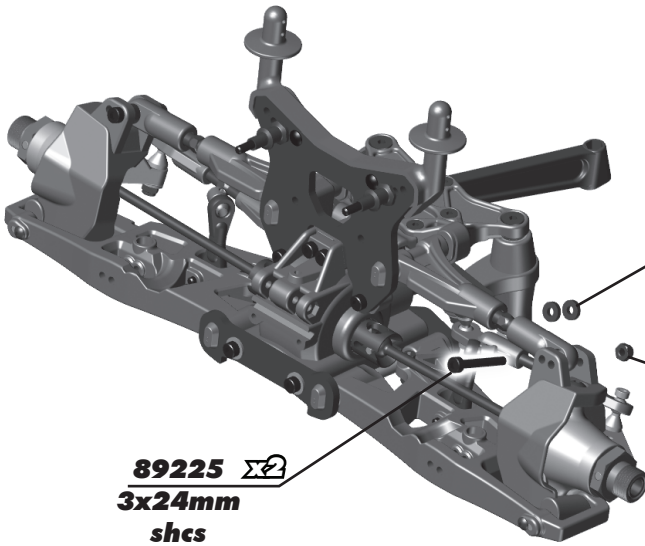
**89228**  $\Sigma 2$   
**3x40mm  
shcs**

**89218**  $\Sigma 2$   
**3x8mm  
washer**

**25215**  $\Sigma 2$   
**M3  
locknut**



**:: Front Suspension Assembly - (cont.)**



**89031**  $\Sigma 4$   
**Blue 1.7mm  
caster spacer**

**25215**  $\Sigma 2$   
**M3  
locknut**

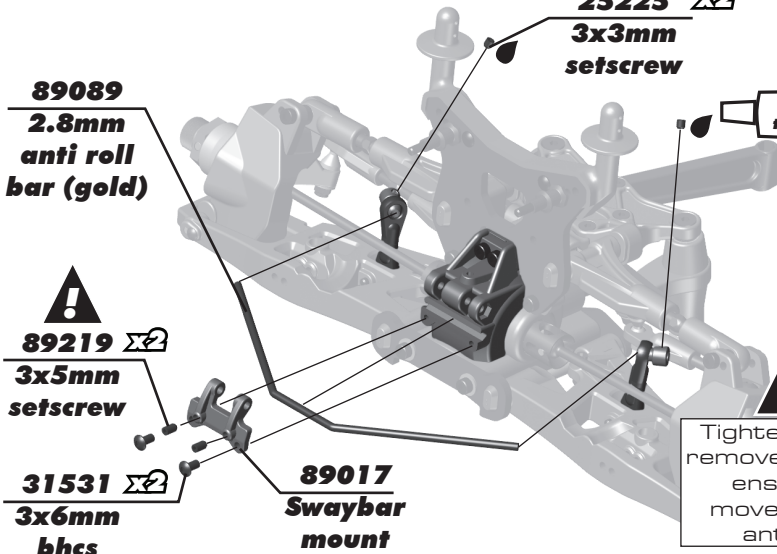
**89225**  $\Sigma 2$   
**3x24mm  
shcs**

**Side  
View**



**Build right  
and left  
sides!**

**:: Front Suspension Assembly - (cont.)**



**89089**  
**2.8mm  
anti roll  
bar (gold)**

**89219**  $\Sigma 2$   
**3x5mm  
setscrew**

**31531**  $\Sigma 2$   
**3x6mm  
bhcs**

**89017**  
**Swaybar  
mount**

**25225**  $\Sigma 2$   
**3x3mm  
setscrew**

**#1596  
thread lock**

Tighten screws to  
remove free play but  
ensure some  
movement in the  
anti-roll bar.

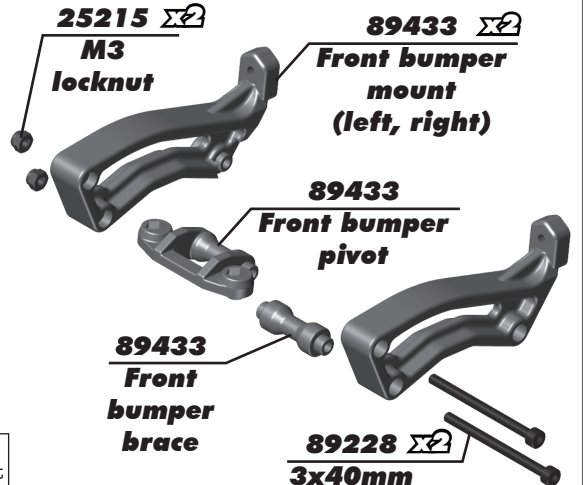
**25215**  $\Sigma 2$   
**M3  
locknut**

**89433**  $\Sigma 2$   
**Front bumper  
mount  
(left, right)**

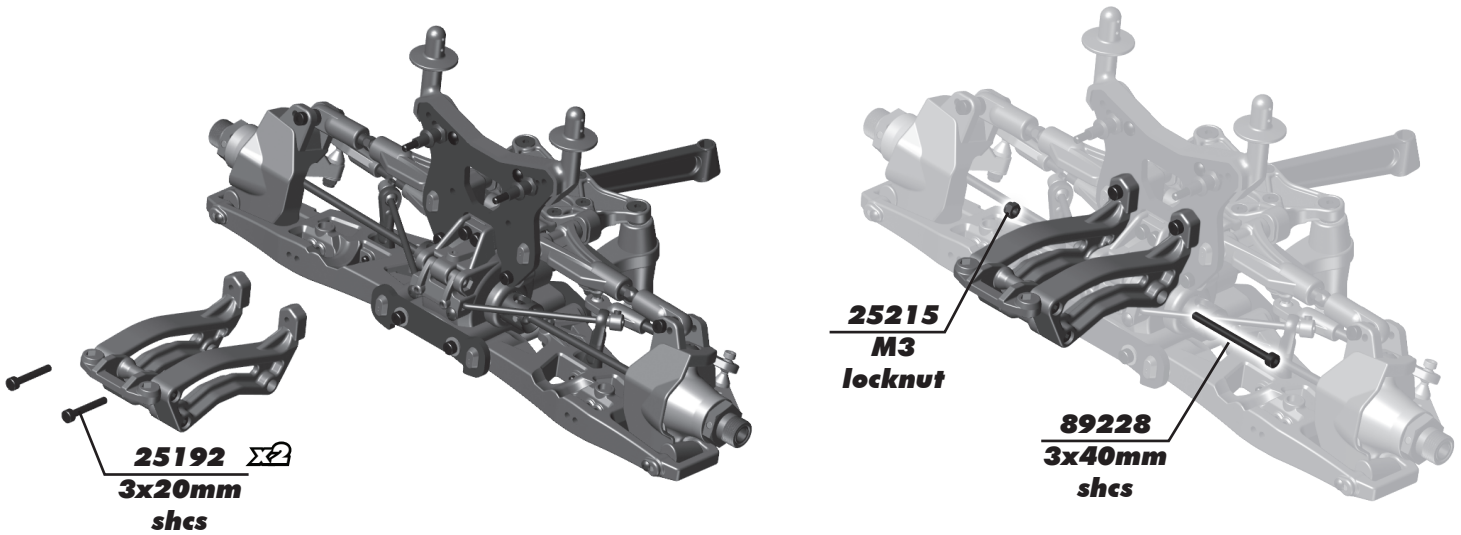
**89433**  
**Front bumper  
pivot**

**89433**  
**Front  
bumper  
brace**

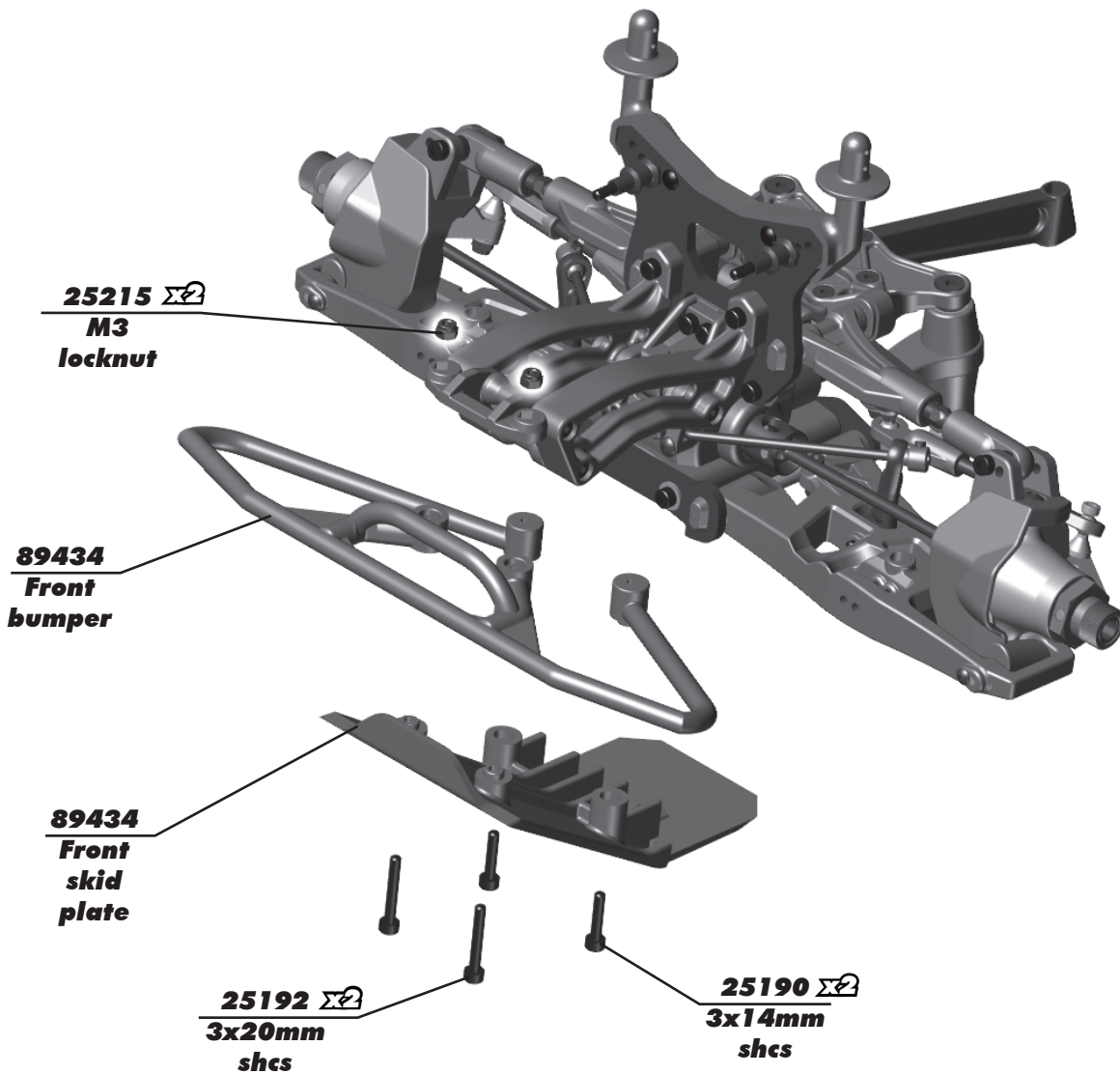
**89228**  $\Sigma 2$   
**3x40mm  
shcs**



**:: Front Suspension Assembly - (cont.)**

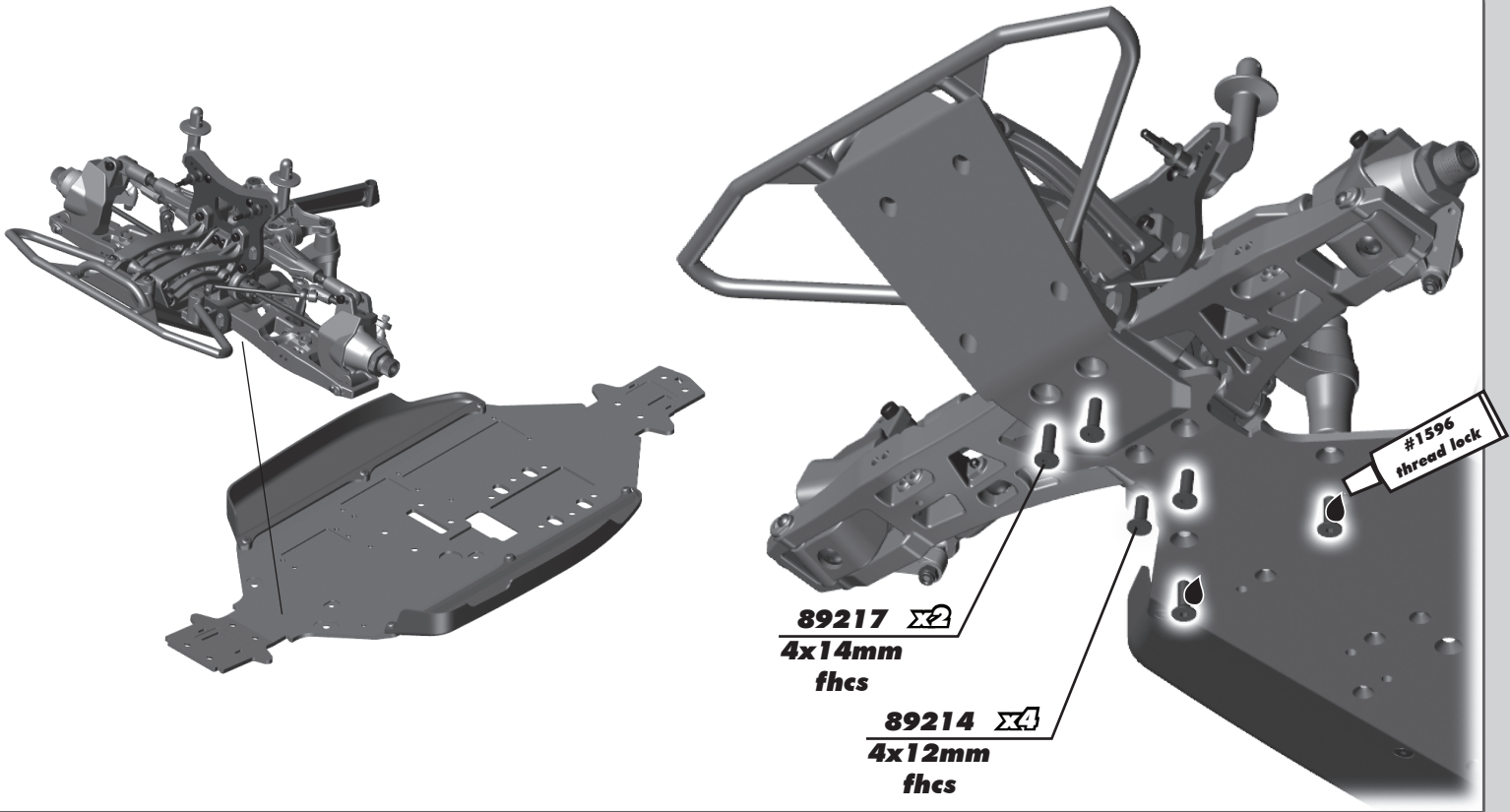


**:: Front Suspension Assembly - (cont.)**

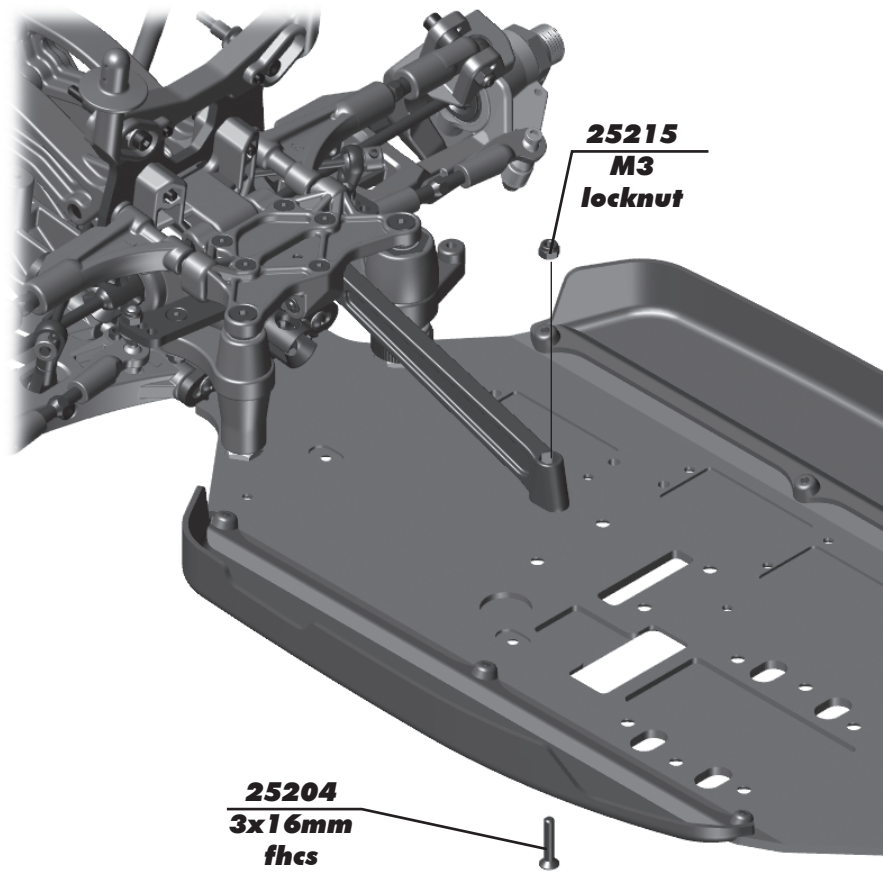




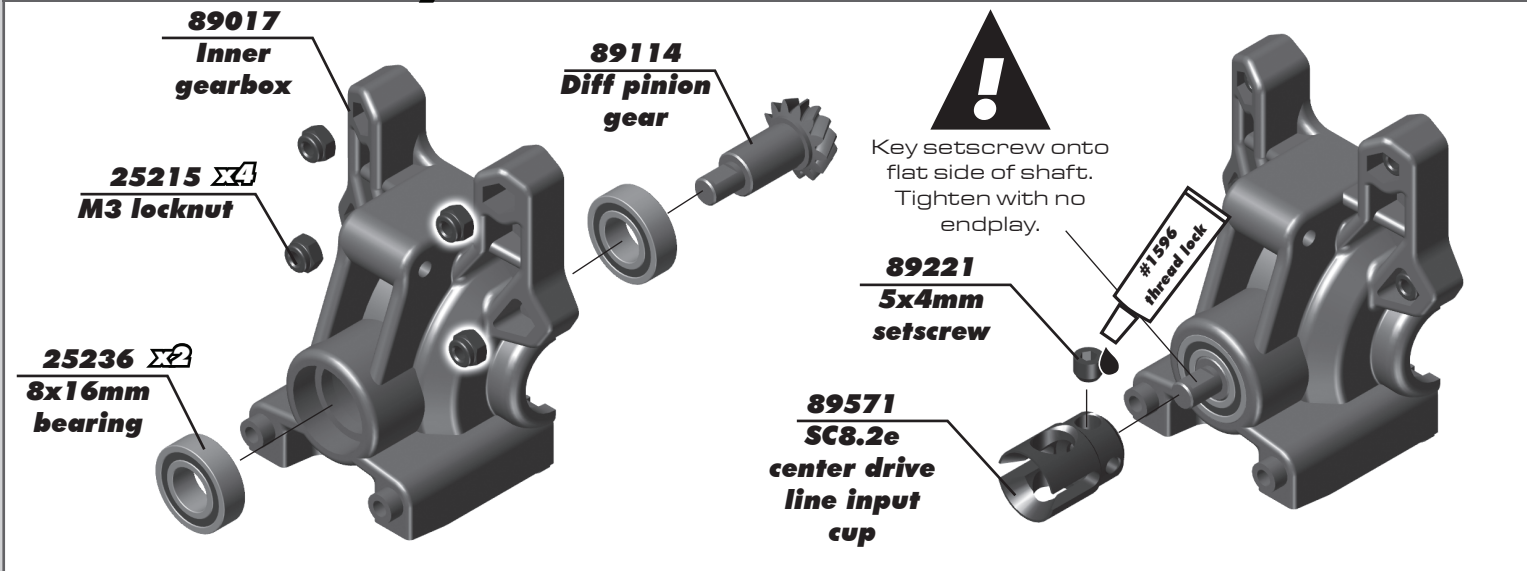
**:: Front Suspension Assembly - (cont.)**



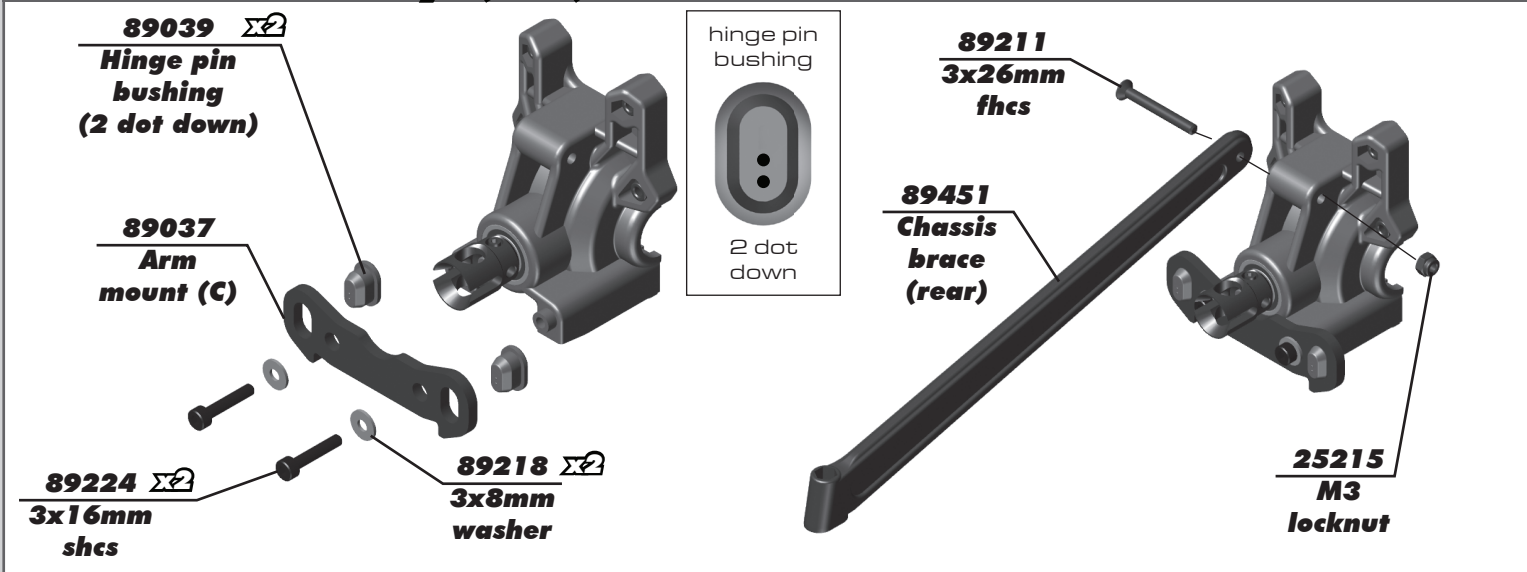
**:: Front Suspension Assembly - (cont.)**



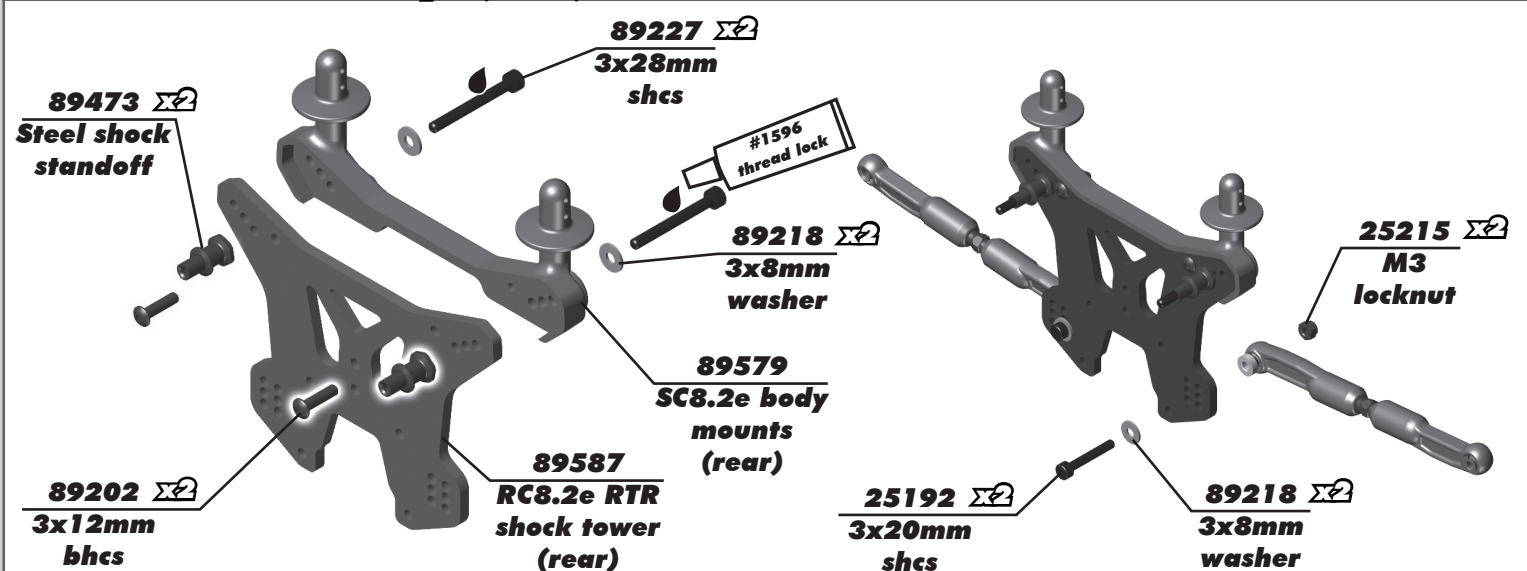
**:: Rear Gearbox Assembly**



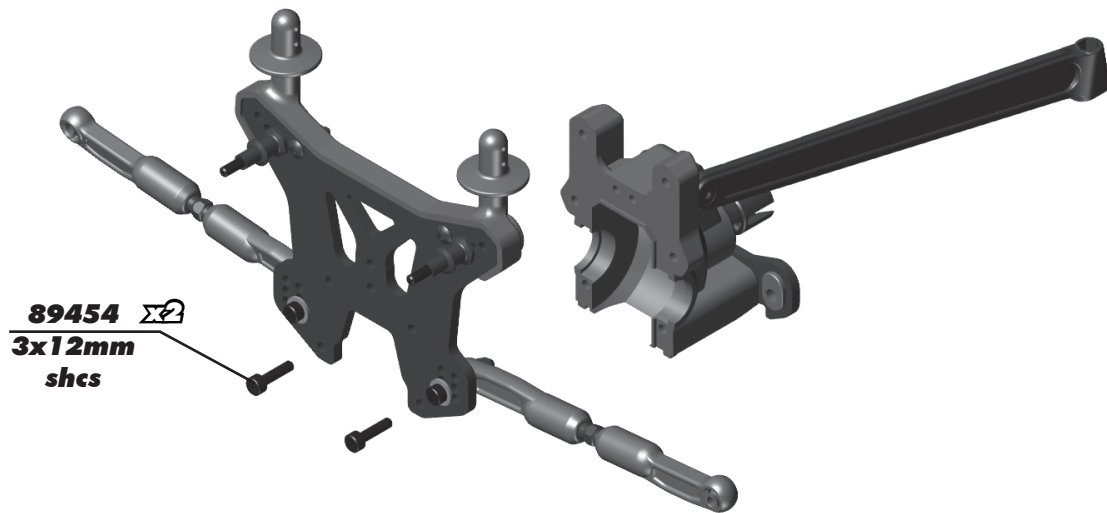
**:: Rear Gearbox Assembly - (cont.)**



**:: Rear Gearbox Assembly - (cont.)**

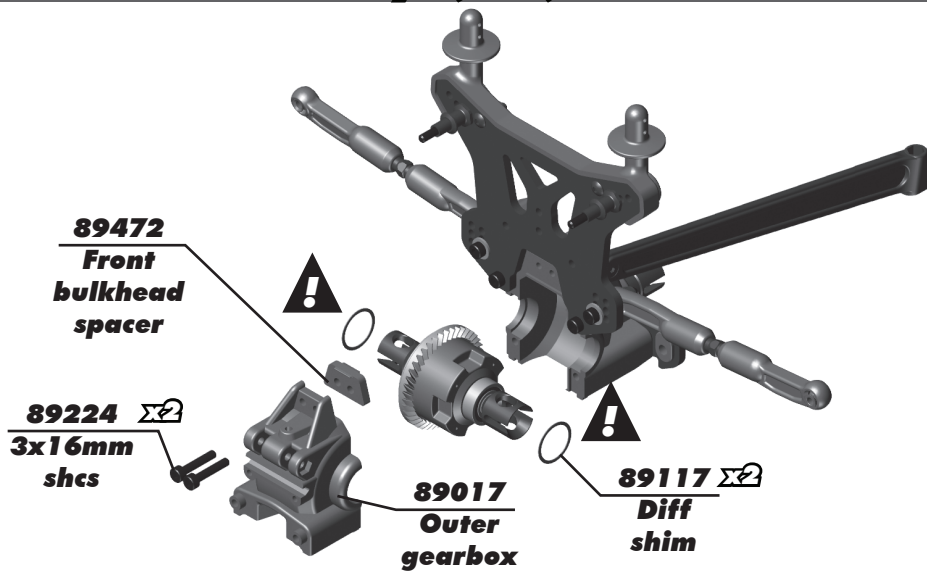


**:: Rear Gearbox Assembly - (cont.)**



**89454** X2  
3x12mm  
shcs

**:: Rear Gearbox Assembly - (cont.)**



**89472**  
Front  
bulkhead  
spacer

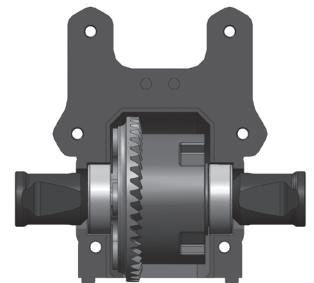
**89224** X2  
3x16mm  
shcs

**89017**  
Outer  
gearbox

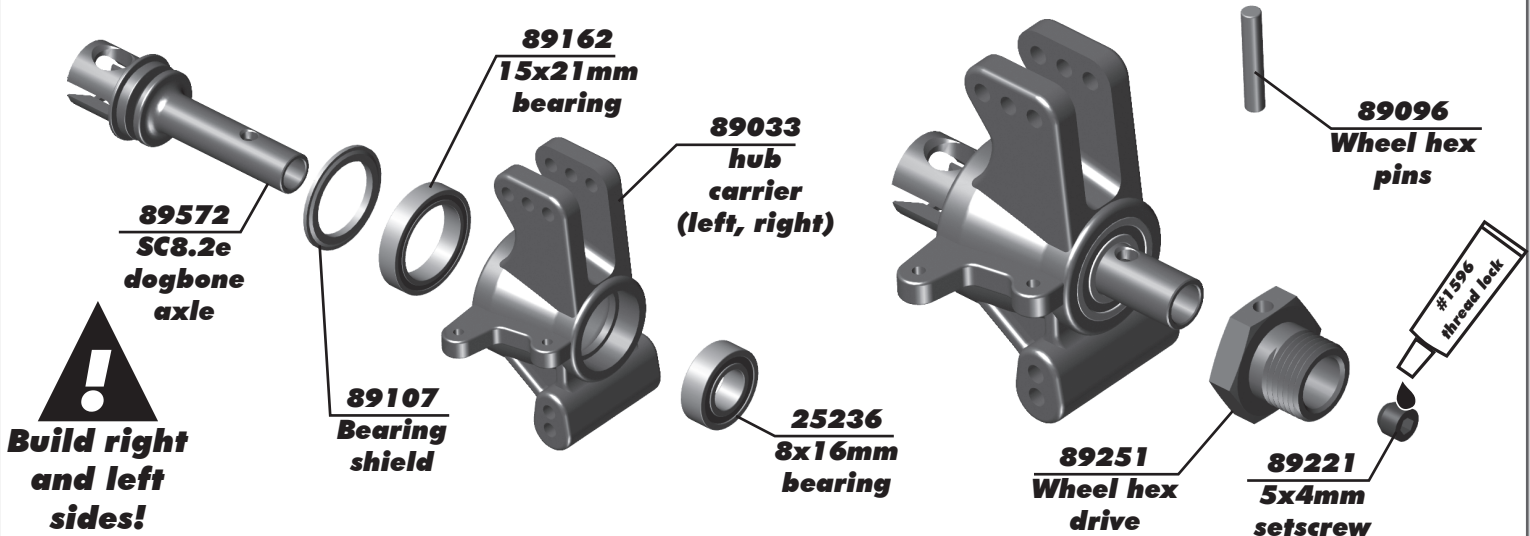
**89117** X2  
Diff  
shim



Diff shims in-  
stalled to diff,  
diff installed to  
gearbox.



**:: Rear Suspension Assembly**



**89572**  
SC8.2e  
dogbone  
axle

**!**  
Build right  
and left  
sides!

**89107**  
Bearing  
shield

**89162**  
15x21mm  
bearing

**89033**  
hub  
carrier  
(left, right)

**25236**  
8x16mm  
bearing

**89096**  
Wheel hex  
pins

**89251**  
Wheel hex  
drive

**89221**  
5x4mm  
setscrew

#1596  
thread lock

**:: Rear Suspension Assembly - (cont.)**

**89091**  
Swaybar joint

**89511**  $\Sigma 2$   
Swaybar eyelet

**4671**  
3x10mm setscrew

**89511**  
Swaybar ball joint

**89220**  
4x12mm setscrew

**25192**  
3x20mm shcs

**89551**  
RC8.2 rear arm

**Build Two!**

**Droop screw placement!**

**Build right and left sides!**

**:: Rear Suspension Assembly - (cont.)**

**89031**  $\Sigma 2$   
Hub spacers (red)

**31520**  
2.5x6mm bhcs

**89041**  
Outer hinge pin

**89575**  $\Sigma 2$   
SC8.2e dogbone (83mm)

**Build right and left sides!**

**:: Rear Suspension Assembly - (cont.)**

**89040**  $\Sigma 2$   
Inner hinge pins

**89038**  
Arm mount (D)

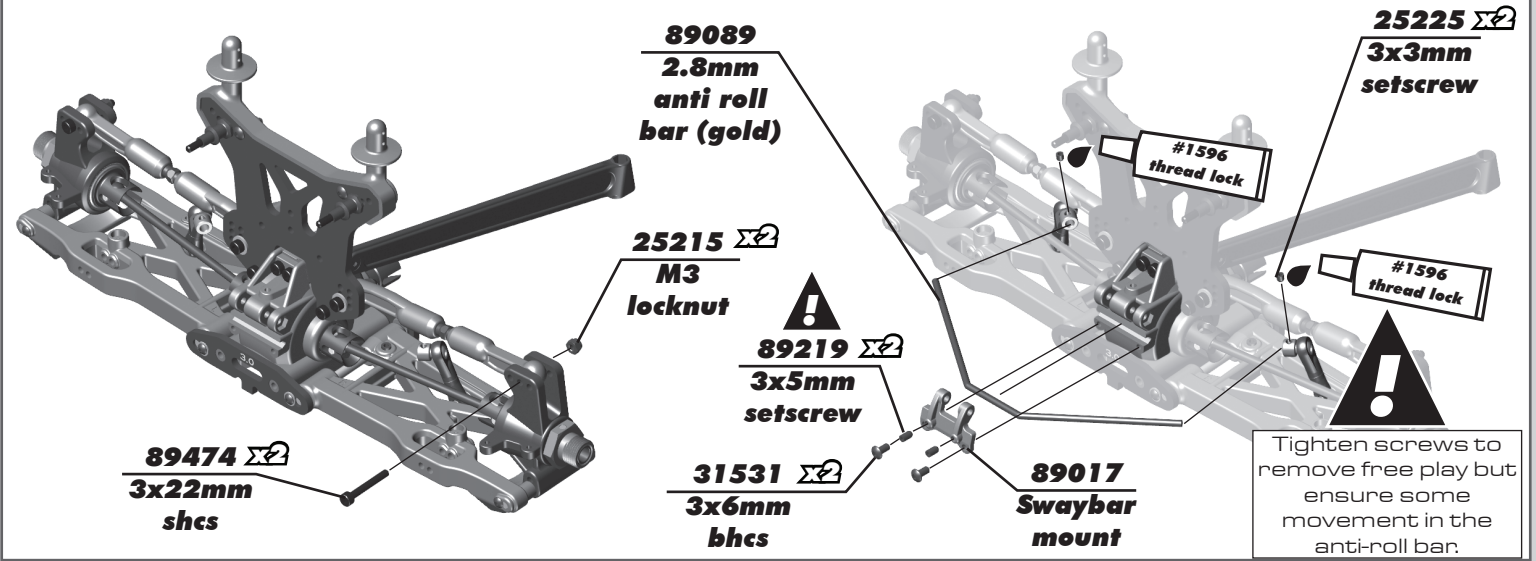
**89278**  $\Sigma 2$   
2.5mm washer

**89201**  $\Sigma 2$   
2.5x3mm bhcs

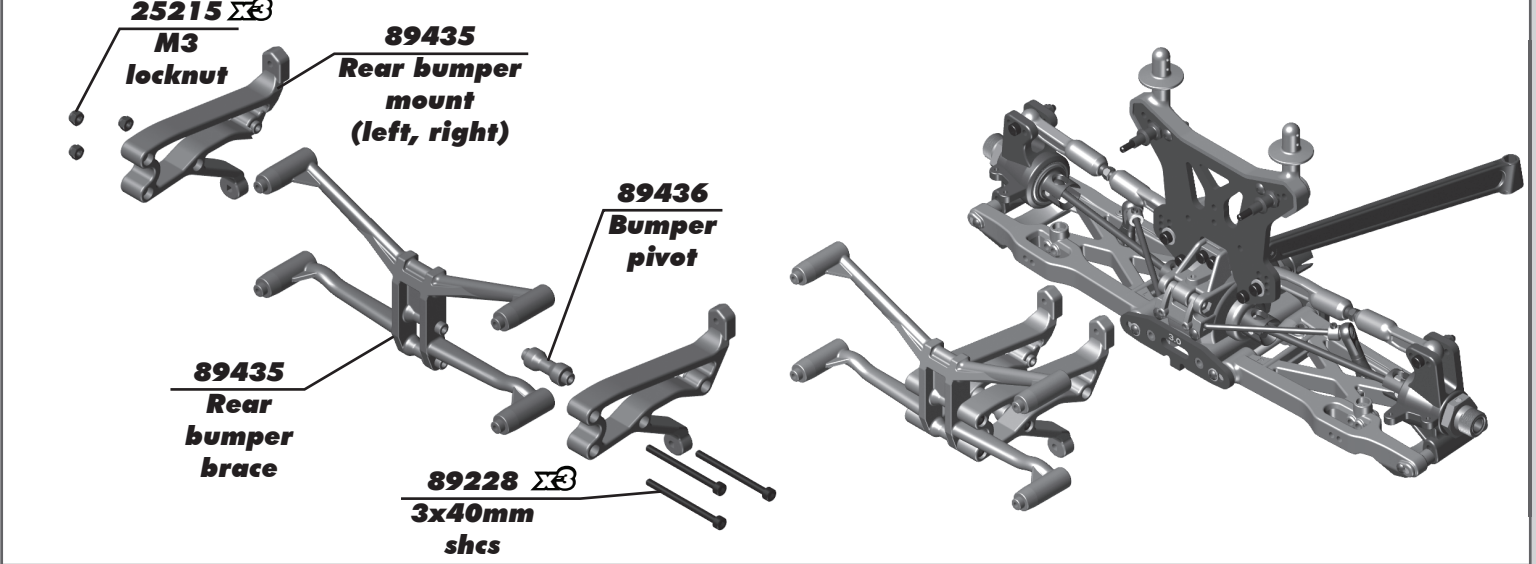
**#1596**  
thread lock



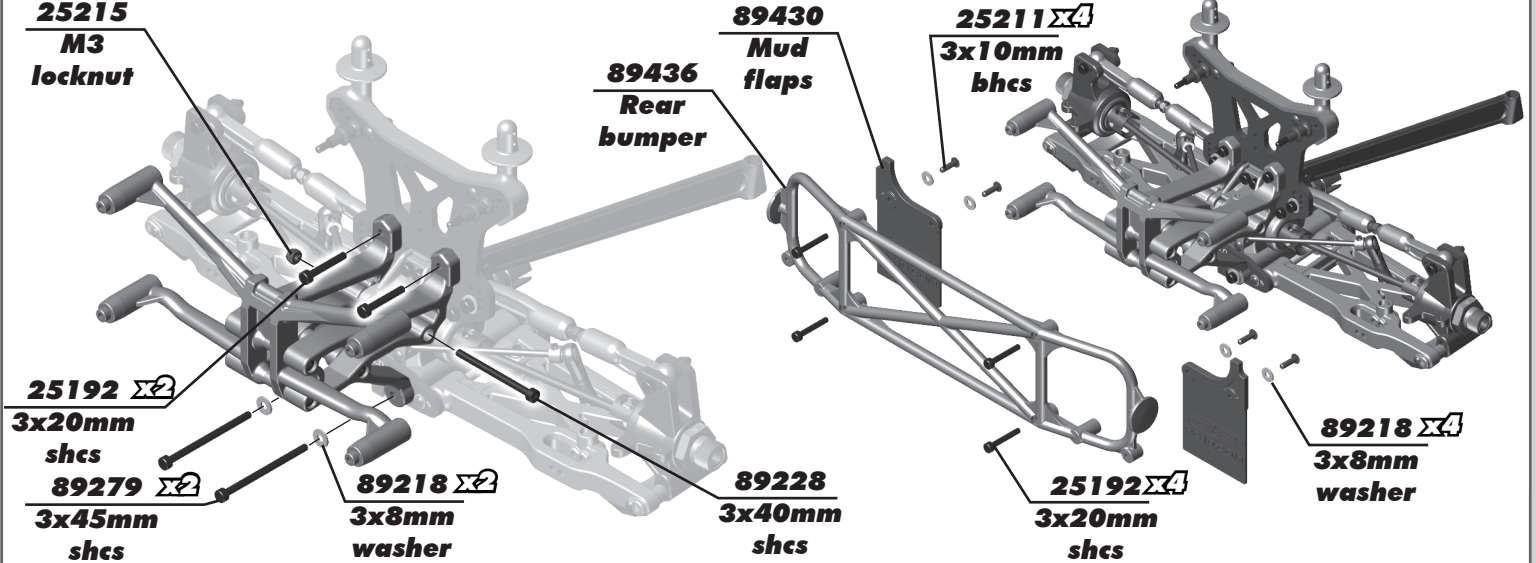
**:: Rear Suspension Assembly - (cont.)**



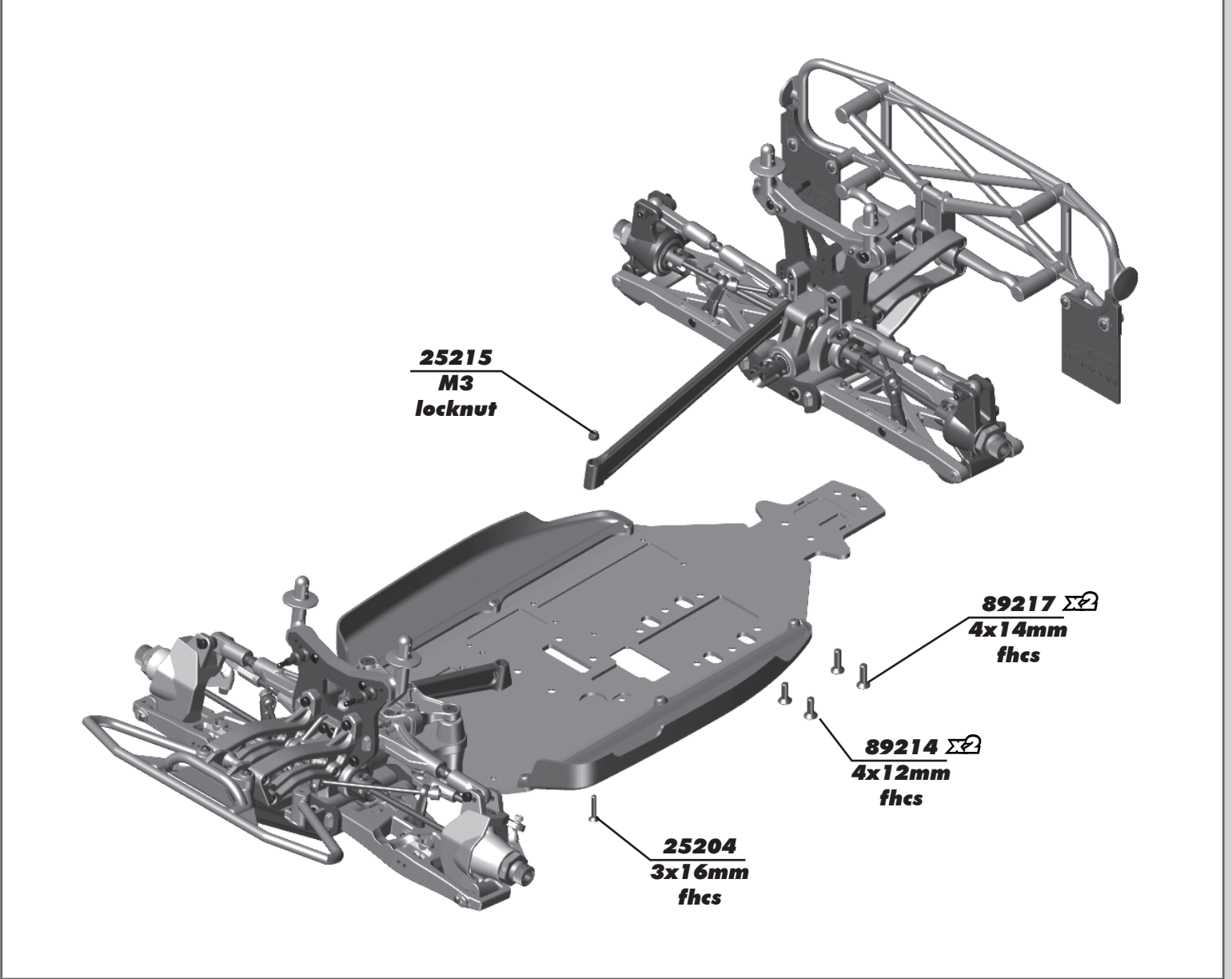
**:: Rear Suspension Assembly - (cont.)**



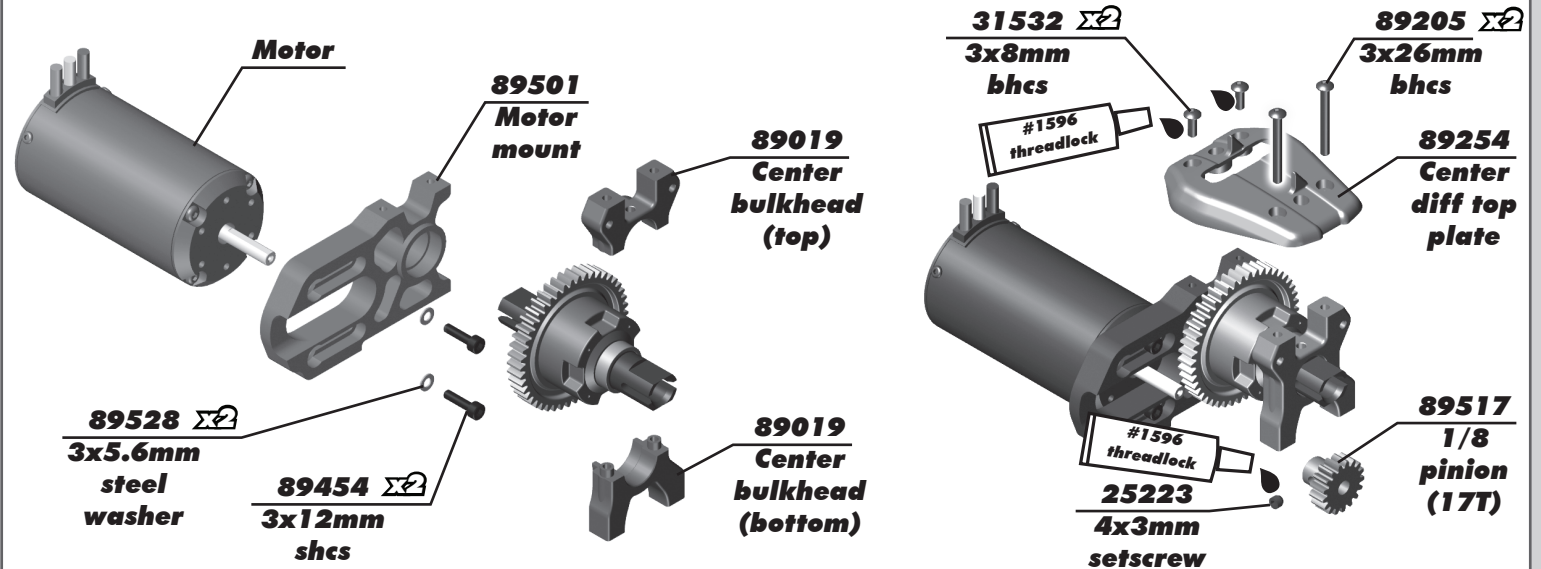
**:: Rear Suspension Assembly - (cont.)**



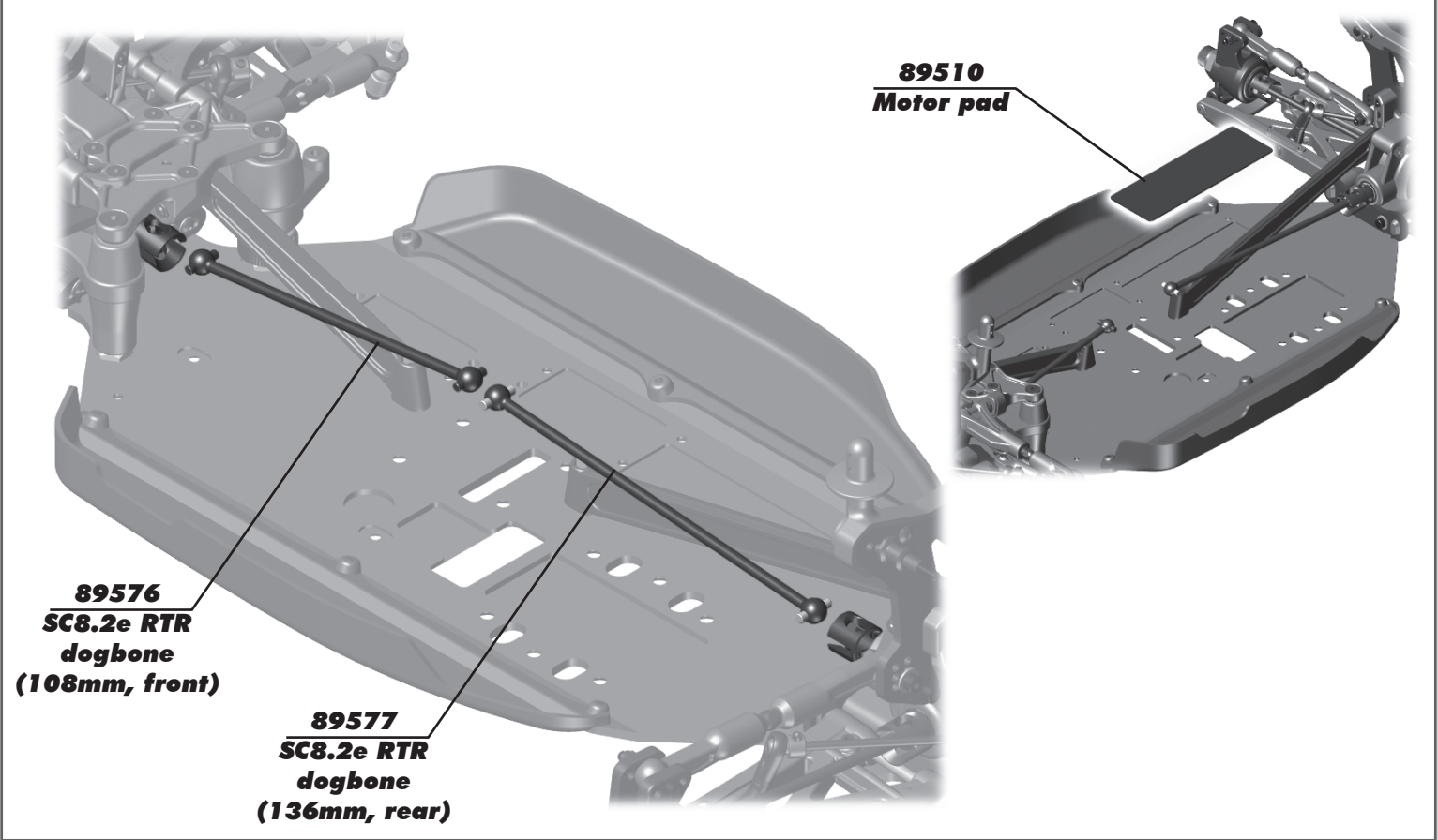
**:: Rear Suspension Assembly - (cont.)**



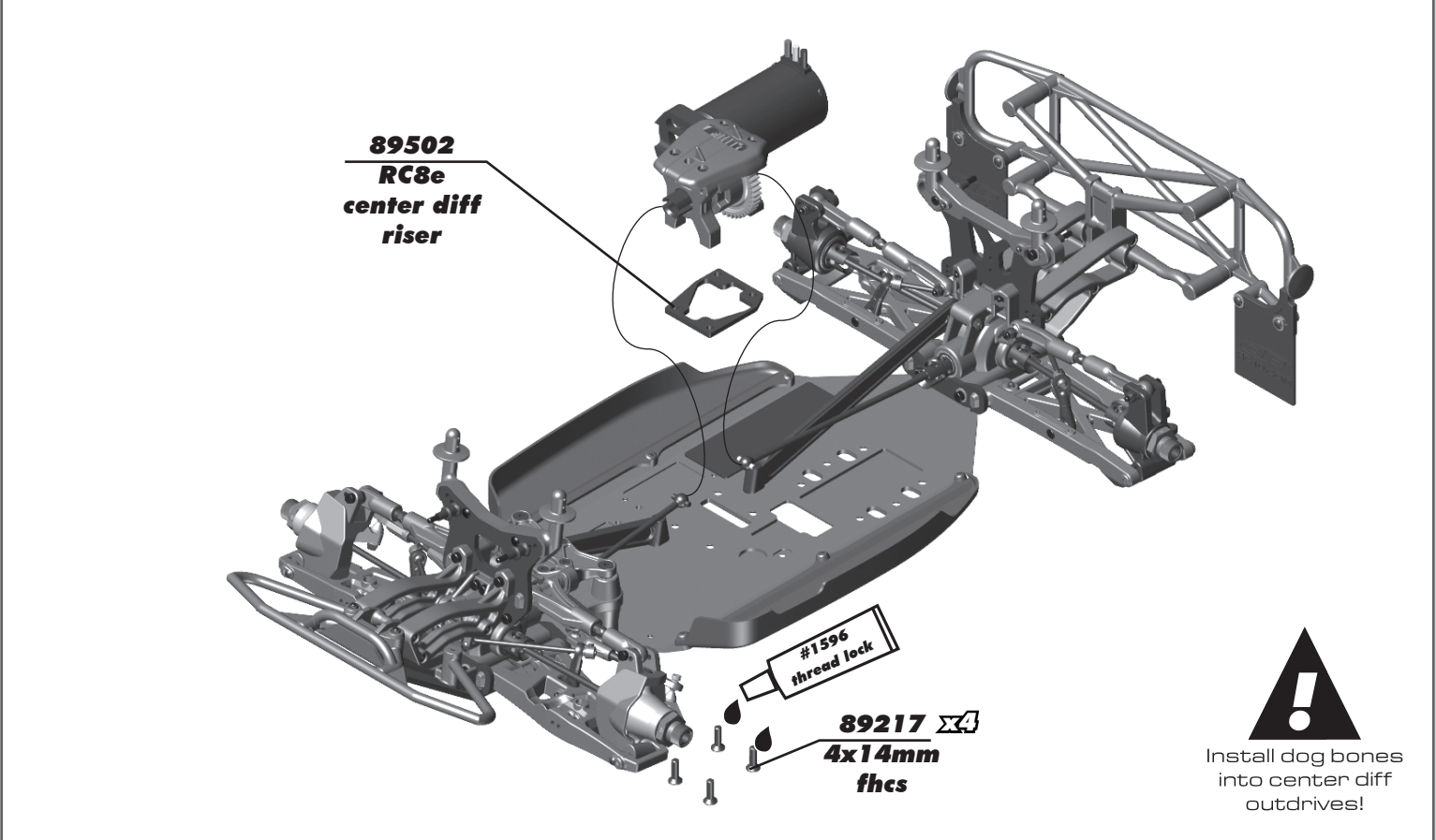
**:: Center Bulkhead Assembly**



**:: Center Bulkhead Assembly - (cont.)**



**:: Center Bulkhead Assembly - (cont.)**

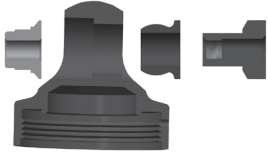




**:: Shocks Install**

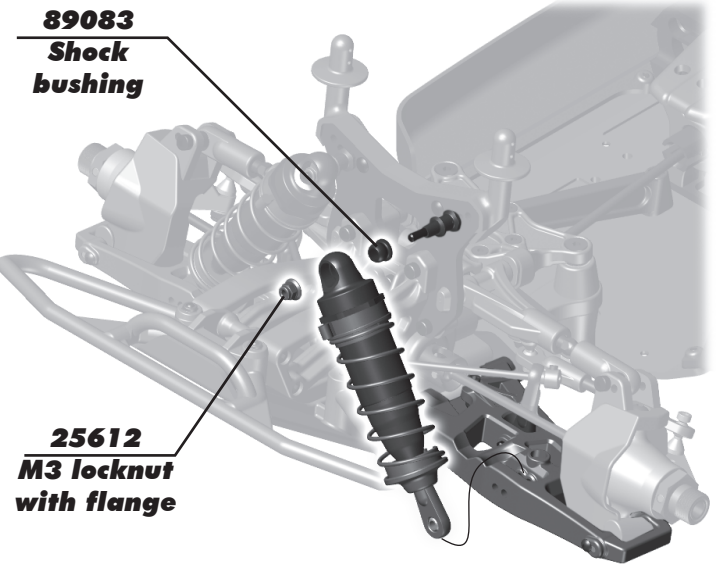


Note the direction of the shock cap when installing onto shock standoffs



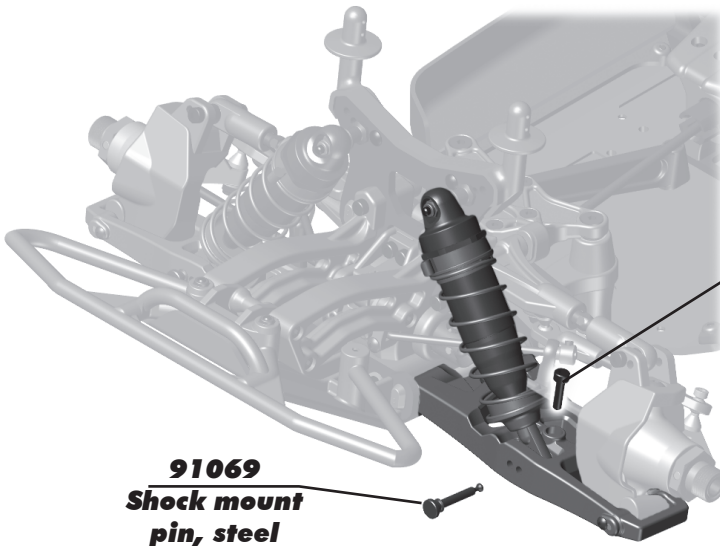
**Install two front shocks.**

**89083 Shock bushing**



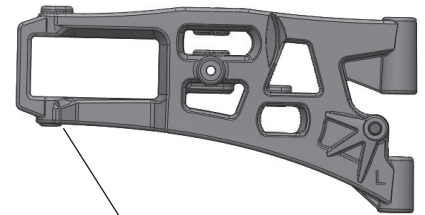
**25612 M3 locknut with flange**

**:: Shocks Install - (cont.)**



**91069 Shock mount pin, steel**

**89454 3x12mm shcs**



After installation, adjust droop screw to get a front shock length of 103mm measured center to center on the shock cap / eyelet.

**:: Shocks Install - (cont.)**

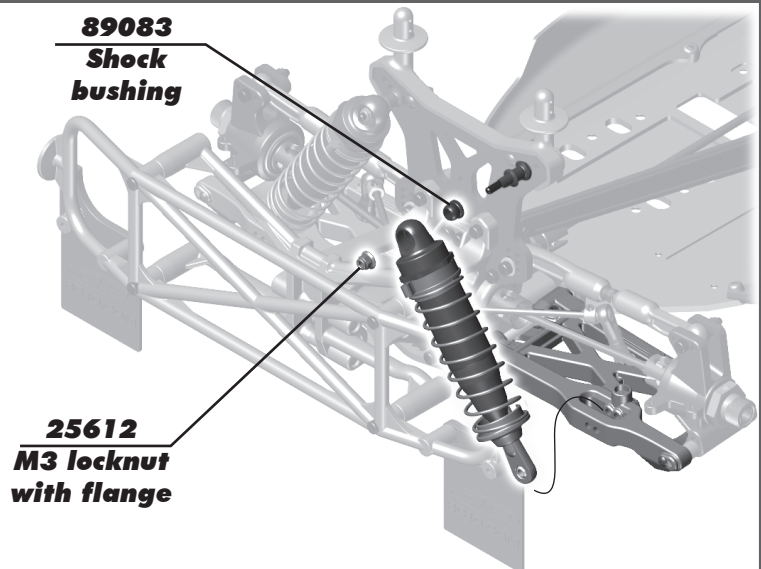


Note the direction of the shock cap when installing onto shock standoffs



**Install two rear shocks.**

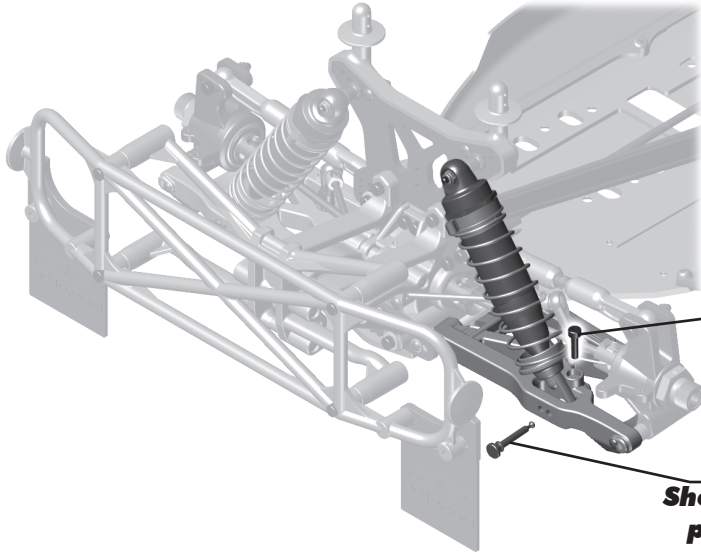
**89083 Shock bushing**



**25612 M3 locknut with flange**

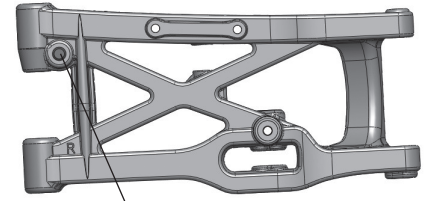


**:: Shocks Install - (cont.)**



**89454**  
**3x12mm**  
**shcs**

**91069**  
**Shock mount**  
**pin, steel**



After installation, adjust droop screw to get a rear shock length of 122mm measured center to center on the shock cap / eyelet.

**:: Radio Tray Assembly**

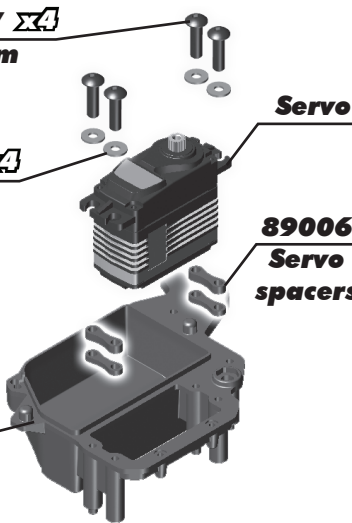
**25187**  $\Sigma 4$   
**3x14mm**  
**bhcs**

**89218**  $\Sigma 4$   
**3x8mm**  
**washer**

**Servo**

**89006**  $\Sigma 4$   
**Servo**  
**spacers**

**89504**  
**Radio**  
**tray**  
**(bottom)**



Servo mounts vary per servo manufacturer. Space your servos low to the chassis without touching the bottom.

**89506**  $\Sigma 3$   
**Hook and**  
**loop battery**  
**straps**

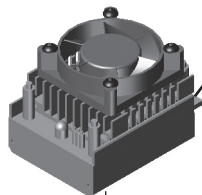


**89505**  
**RC8e**  
**battery**  
**tray**

**:: Radio Tray Assembly - (cont.)**



Note: Attach speed control with servo tape #6727.



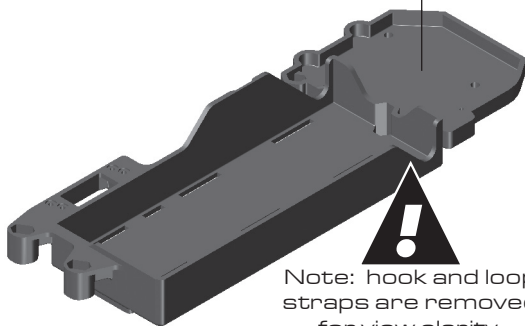
**Speed control**



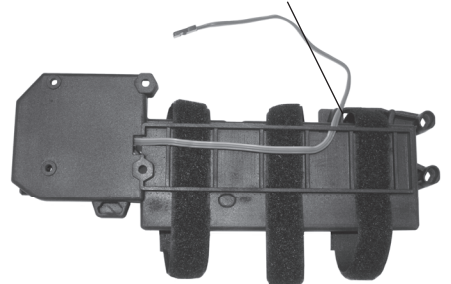
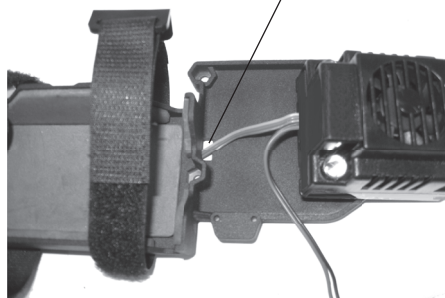
Note: route the speed control receiver wire through this opening.



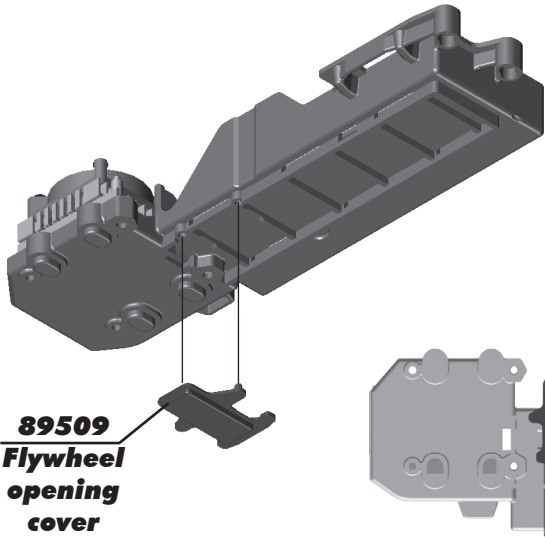
Note: route the speed control receiver wire through this opening.



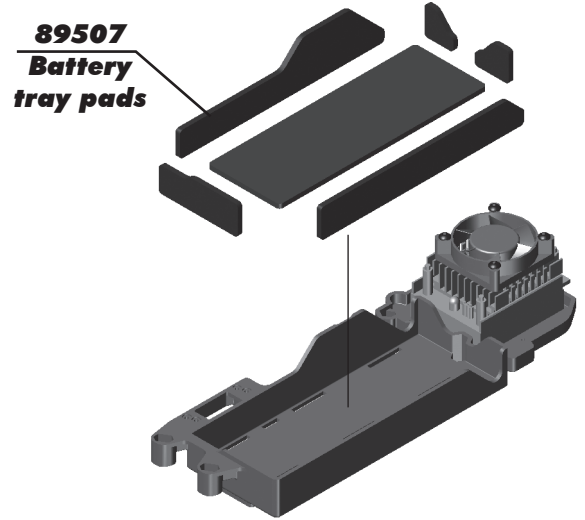
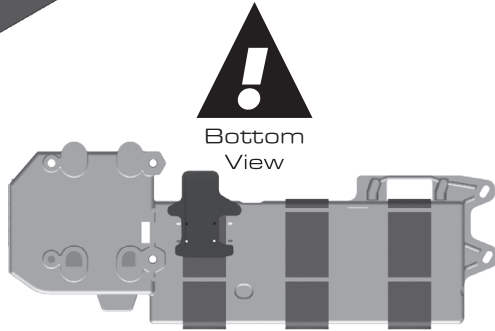
Note: hook and loop straps are removed for view clarity.



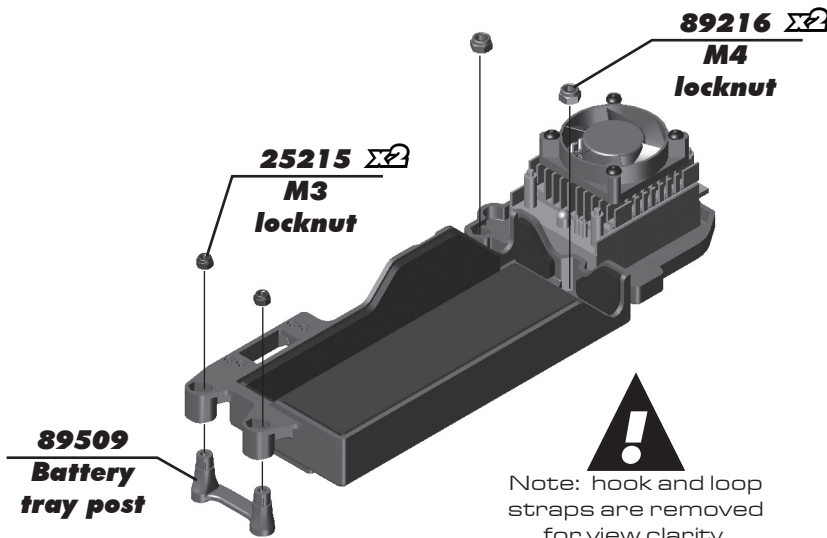
**:: Radio Tray Assembly - (cont.)**



**!**  
Note: hook and loop straps are removed for view clarity.

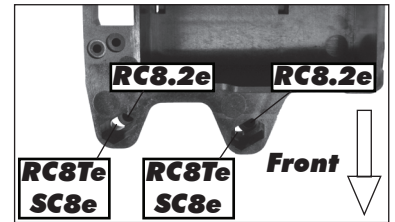


**:: Radio Tray Assembly - (cont.)**

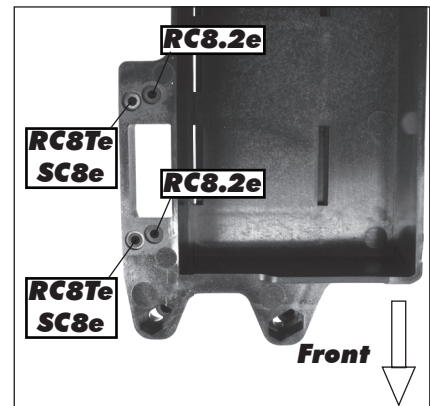
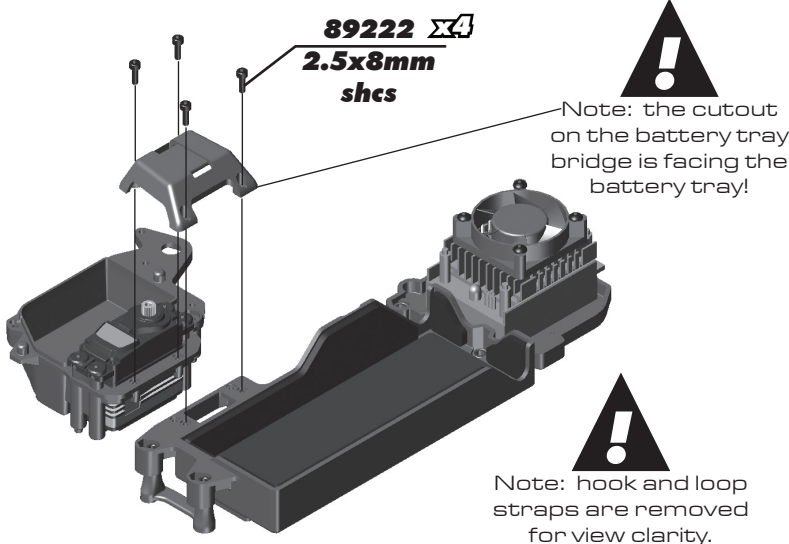


**!**  
Note: hook and loop straps are removed for view clarity.

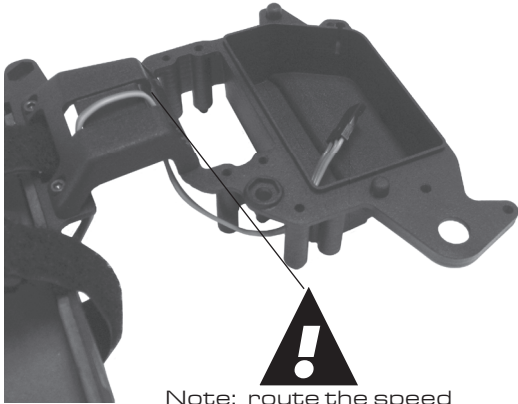
**!**  
Note: there are two different positions for the locknuts depending on what vehicle you have.



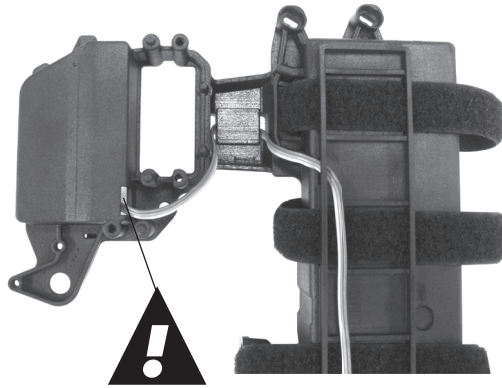
**:: Radio Tray Assembly - (cont.)**



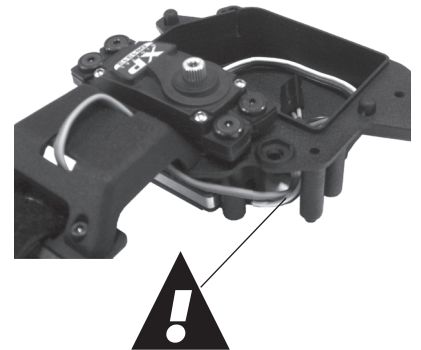
**:: Radio Tray Assembly - (cont.)**



Note: route the speed control receiver wire up and over the bridge

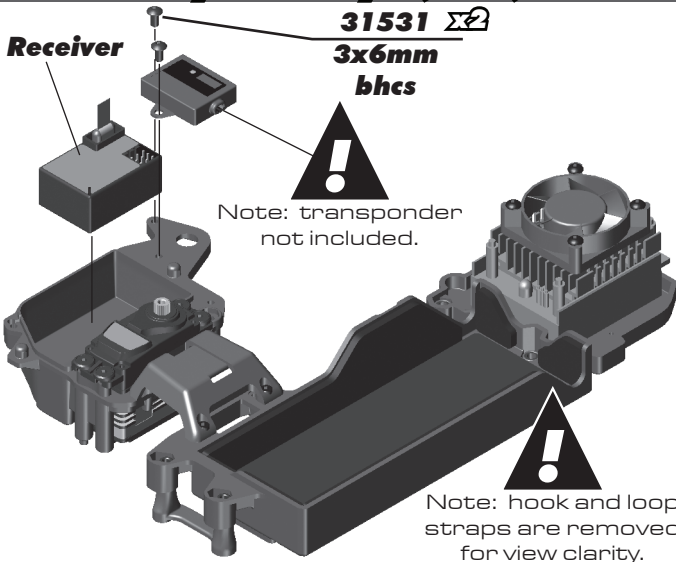


Note: route the speed control receiver wire through the radio box hole.



Note: route the servo wire to the receiver through this opening.

**:: Radio Tray Assembly - (cont.)**

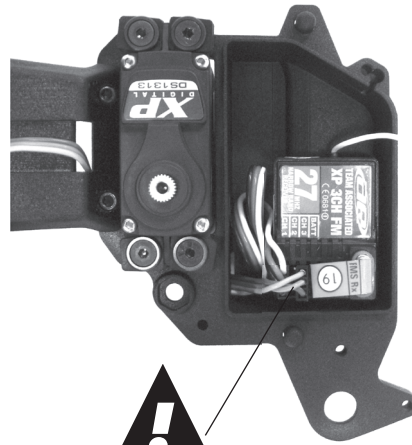


Receiver

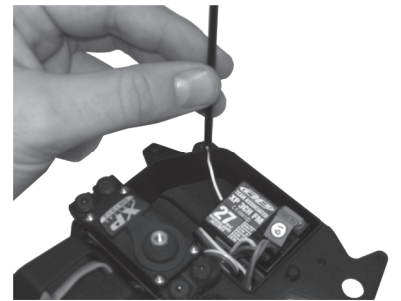
**31531**  $\Sigma 2$   
**3x6mm**  
**bhcs**

Note: transponder not included.

Note: hook and loop straps are removed for view clarity.

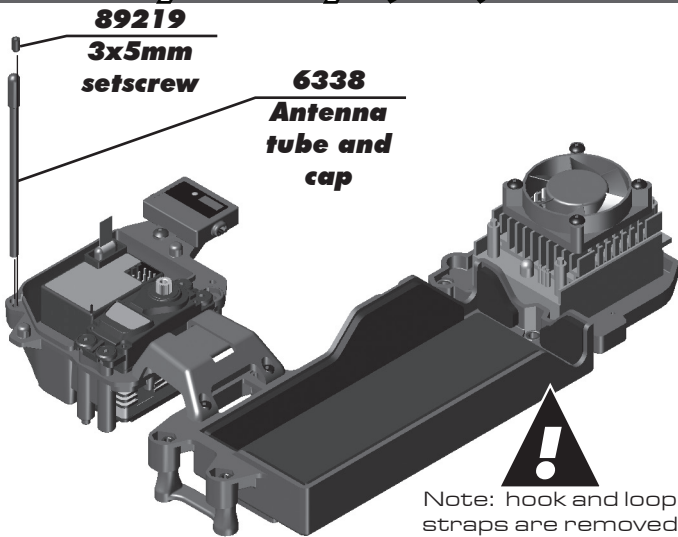


Note: plug in your speed control and servo to your receiver.



Note: route your receiver's antenna wire through the slot in the radio tray, and through your antenna tube.

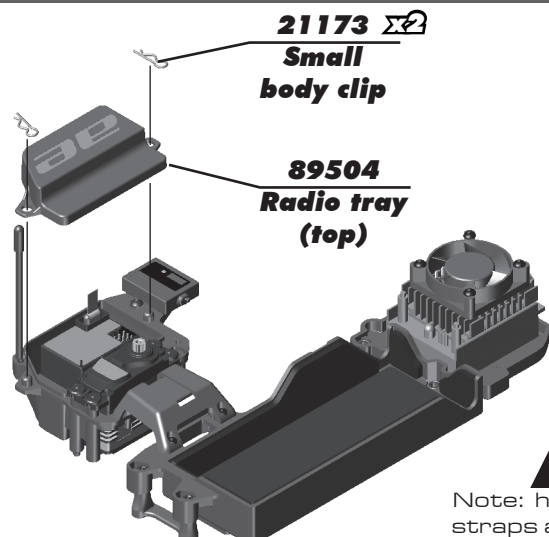
**:: Radio Tray Assembly - (cont.)**



**89219**  
**3x5mm**  
**setscrew**

**6338**  
**Antenna**  
**tube and**  
**cap**

Note: hook and loop straps are removed for view clarity.



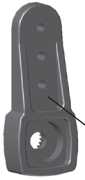
**21173**  $\Sigma 2$   
**Small**  
**body clip**

**89504**  
**Radio tray**  
**(top)**

Note: hook and loop straps are removed for view clarity.



**:: Radio Tray Assembly - (cont.)**

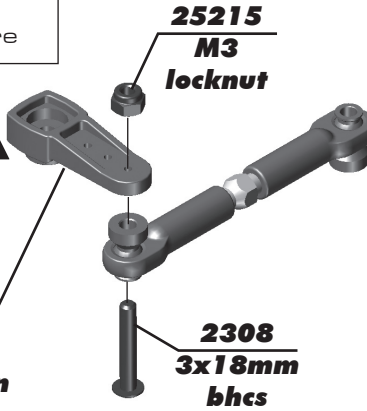


**A - Airtronics**  
**F - Futaba**  
**H - Hitec**  
**J - JR**

Printed here

**!**  
 Enlarge holes  
 in servo horn!

**89007**  
**Steering**  
**servo horn**



**25215**  
**M3**  
**locknut**

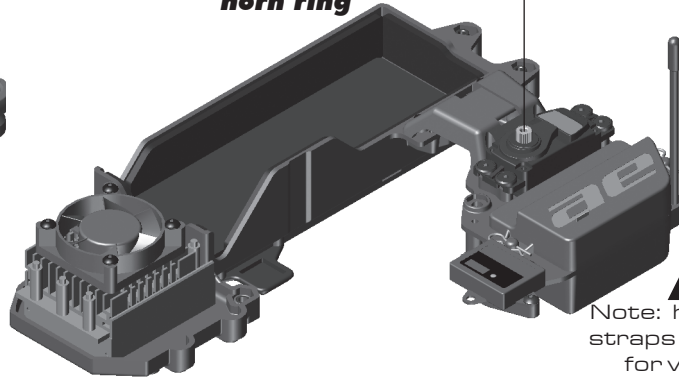
**2308**  
**3x18mm**  
**bhcs**

**89007**  
**Servo**  
**horn ring**

**25201**  
**3x8mm**  
**fhcs**

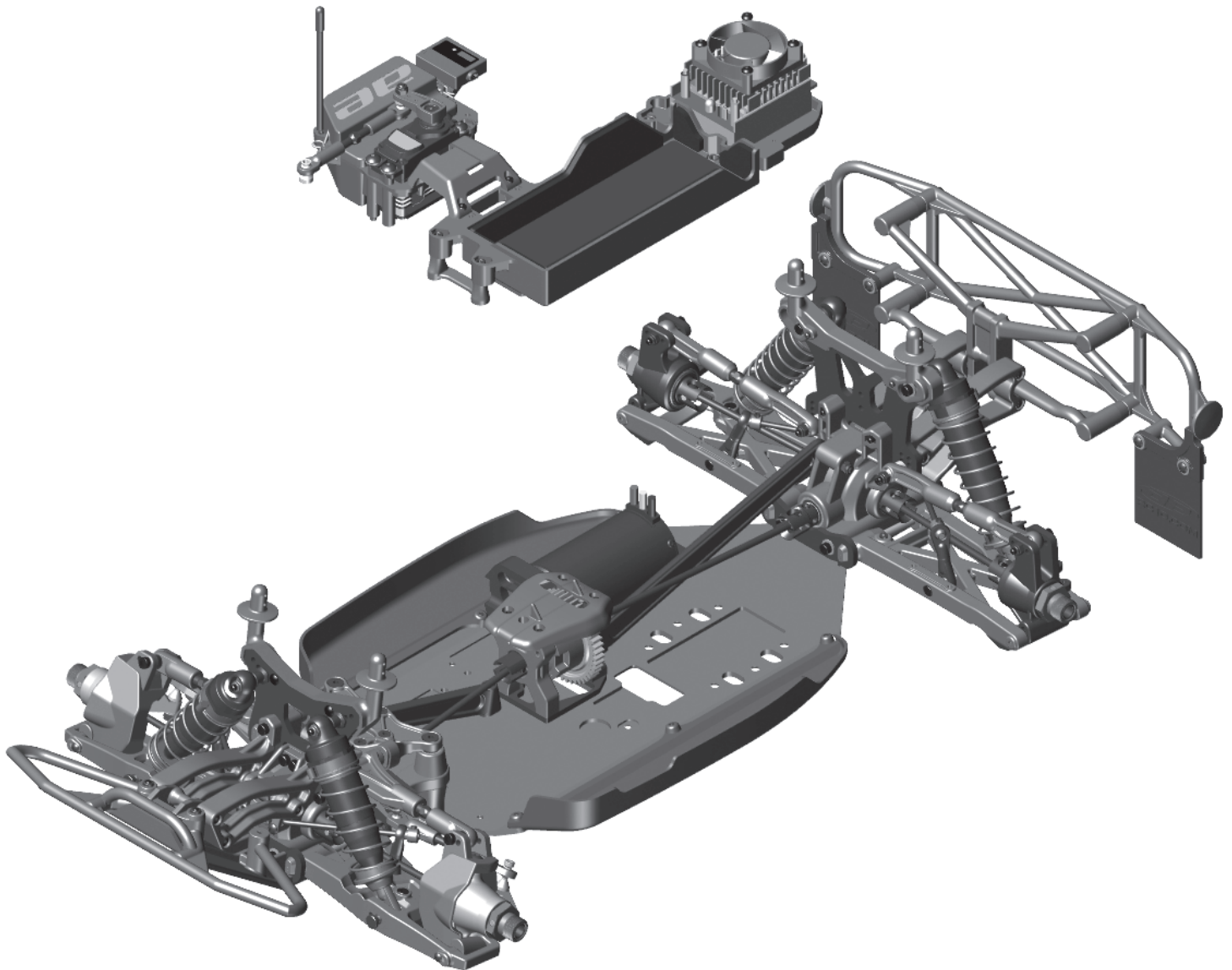
**#1596**  
**thread lock**

**89007**  
**Servo cone**  
**washer**



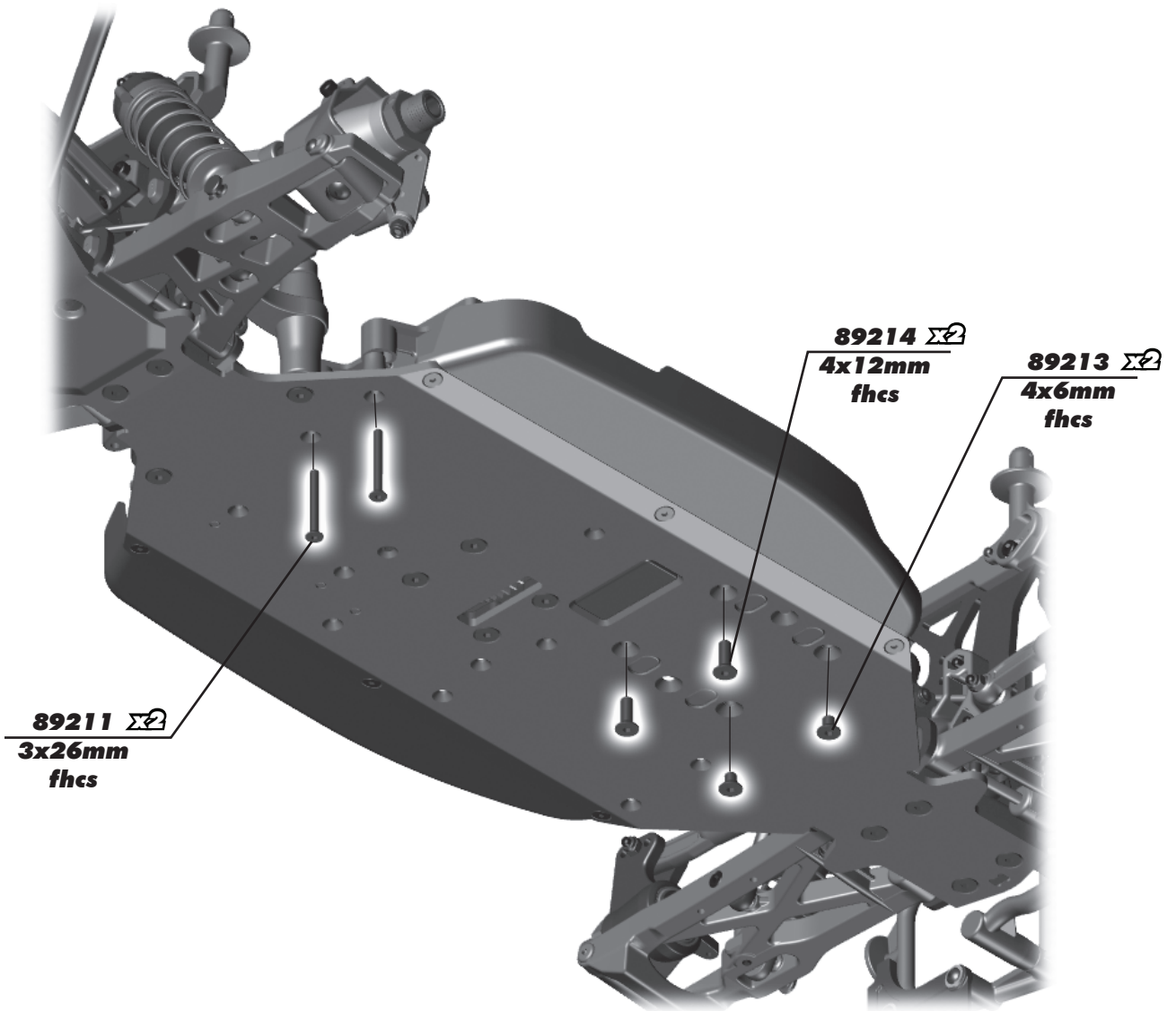
**!**  
 Note: hook and loop  
 straps are removed  
 for view clarity.

**:: Radio Tray Assembly - (cont.)**

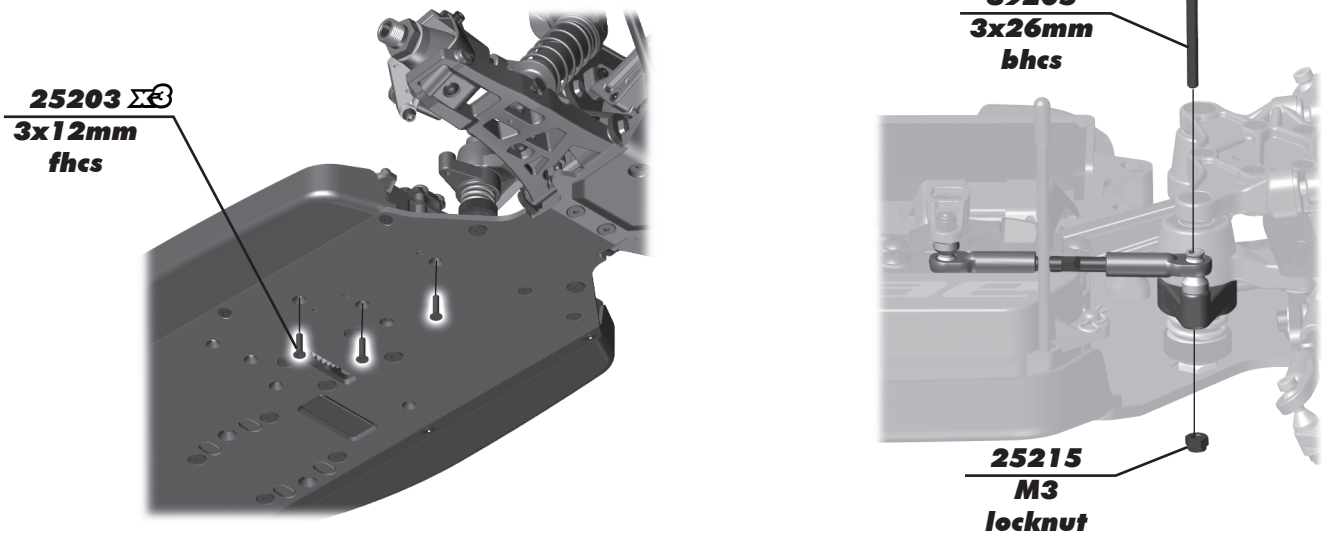




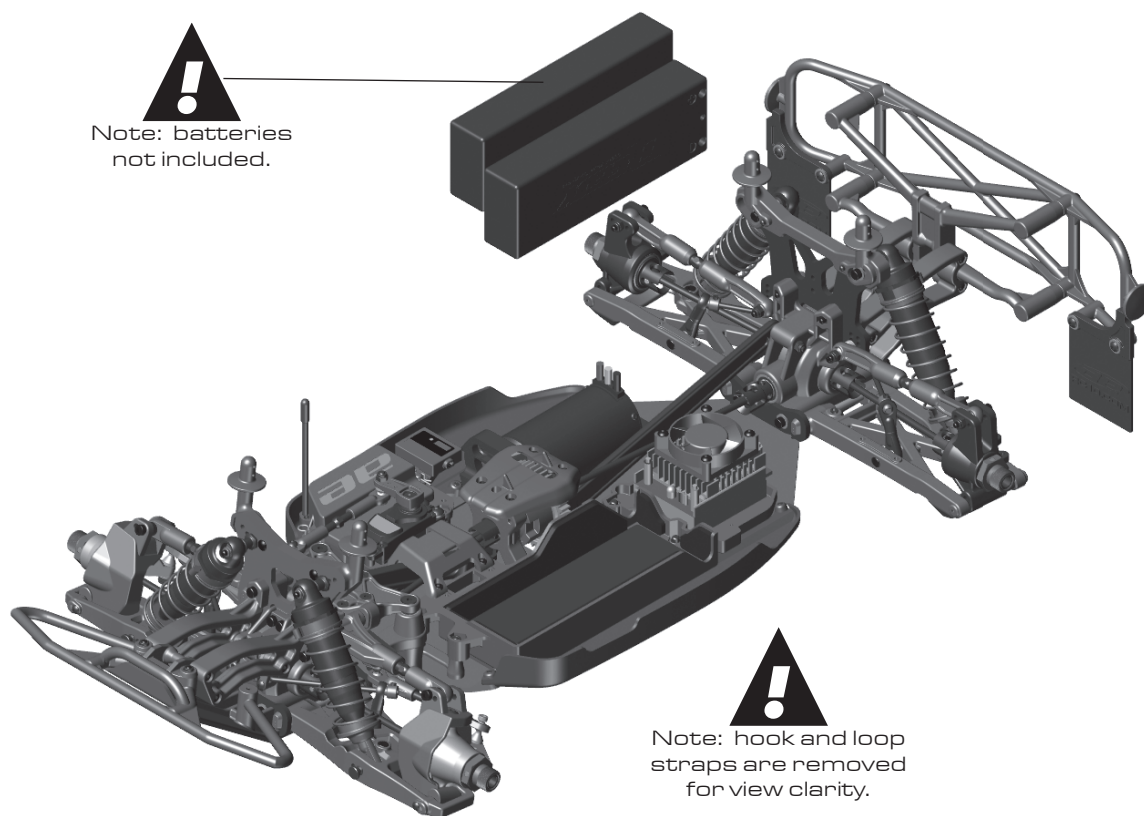
:: Radio Tray Assembly - (cont.)



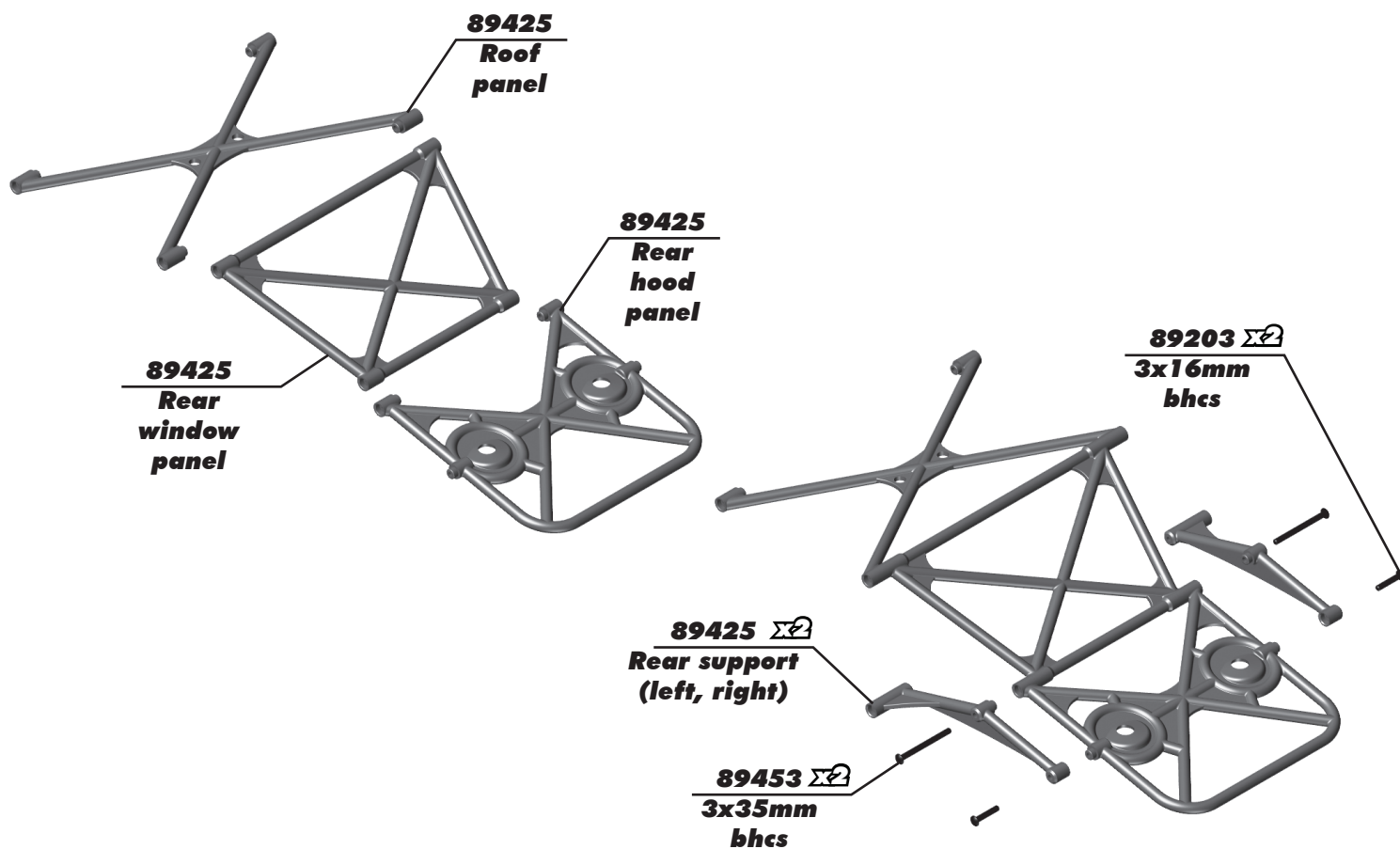
:: Radio Tray Assembly - (cont.)



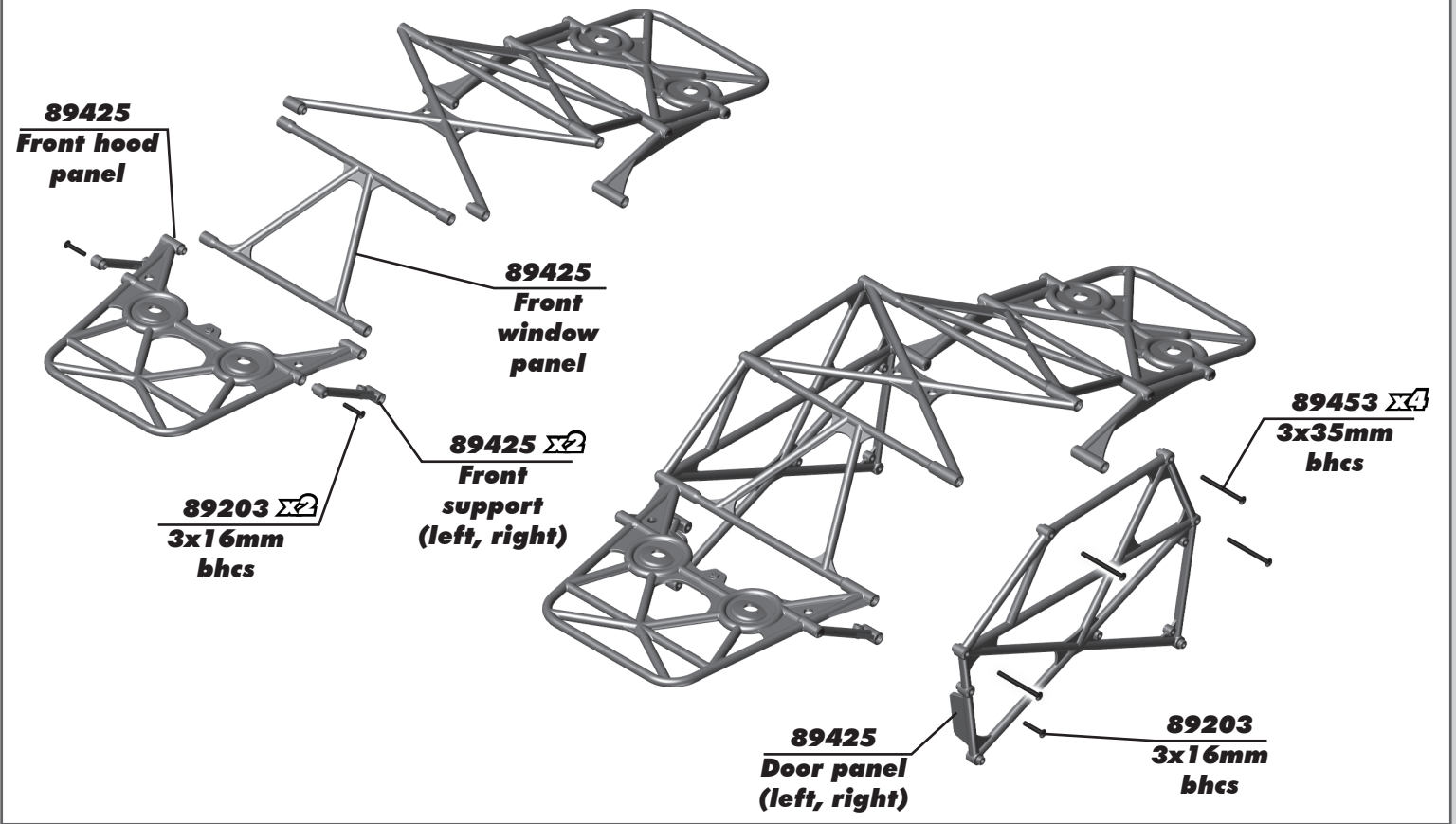
## :: Radio Tray Assembly - (cont.)



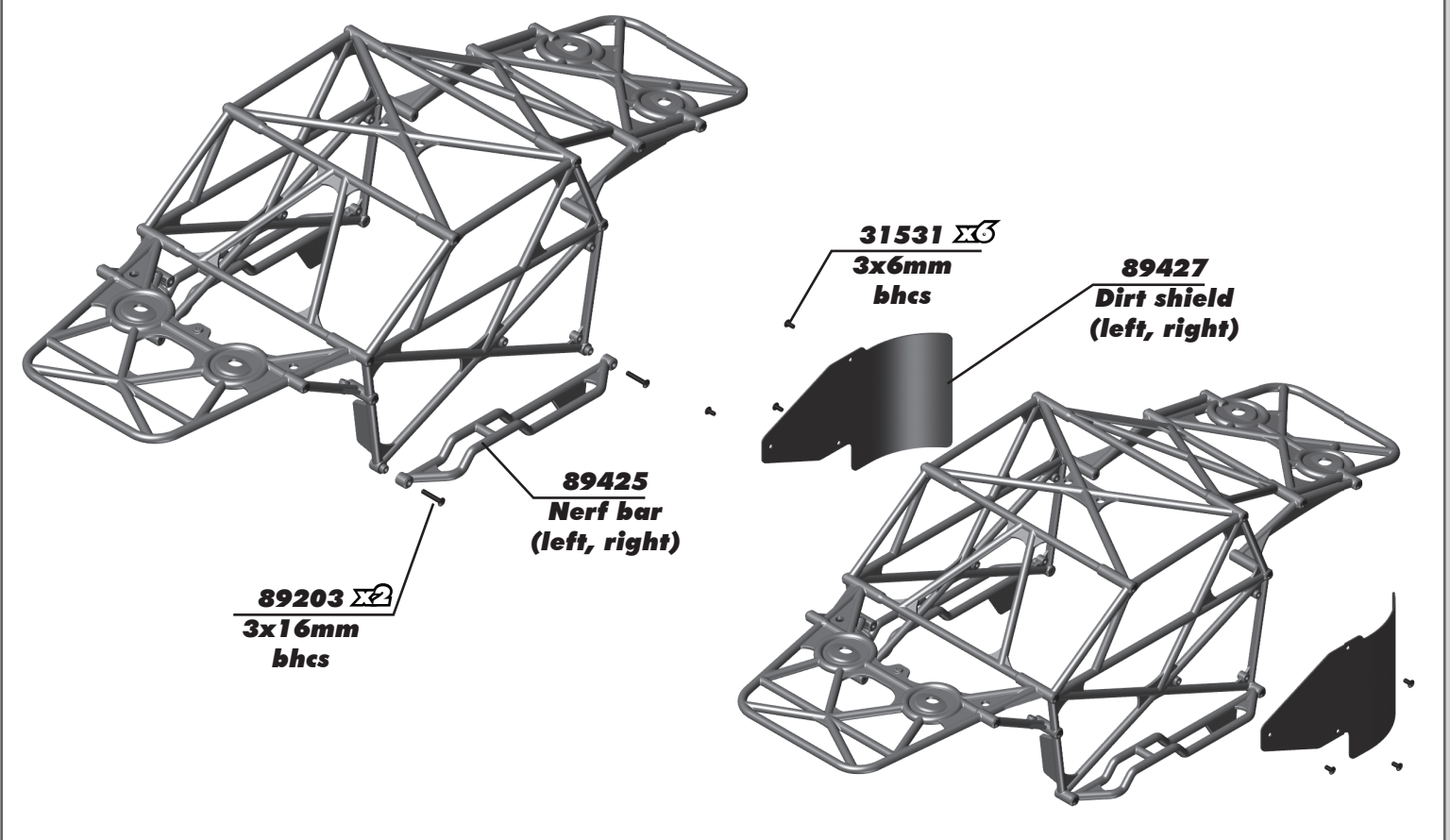
## :: Roll Cage Assembly



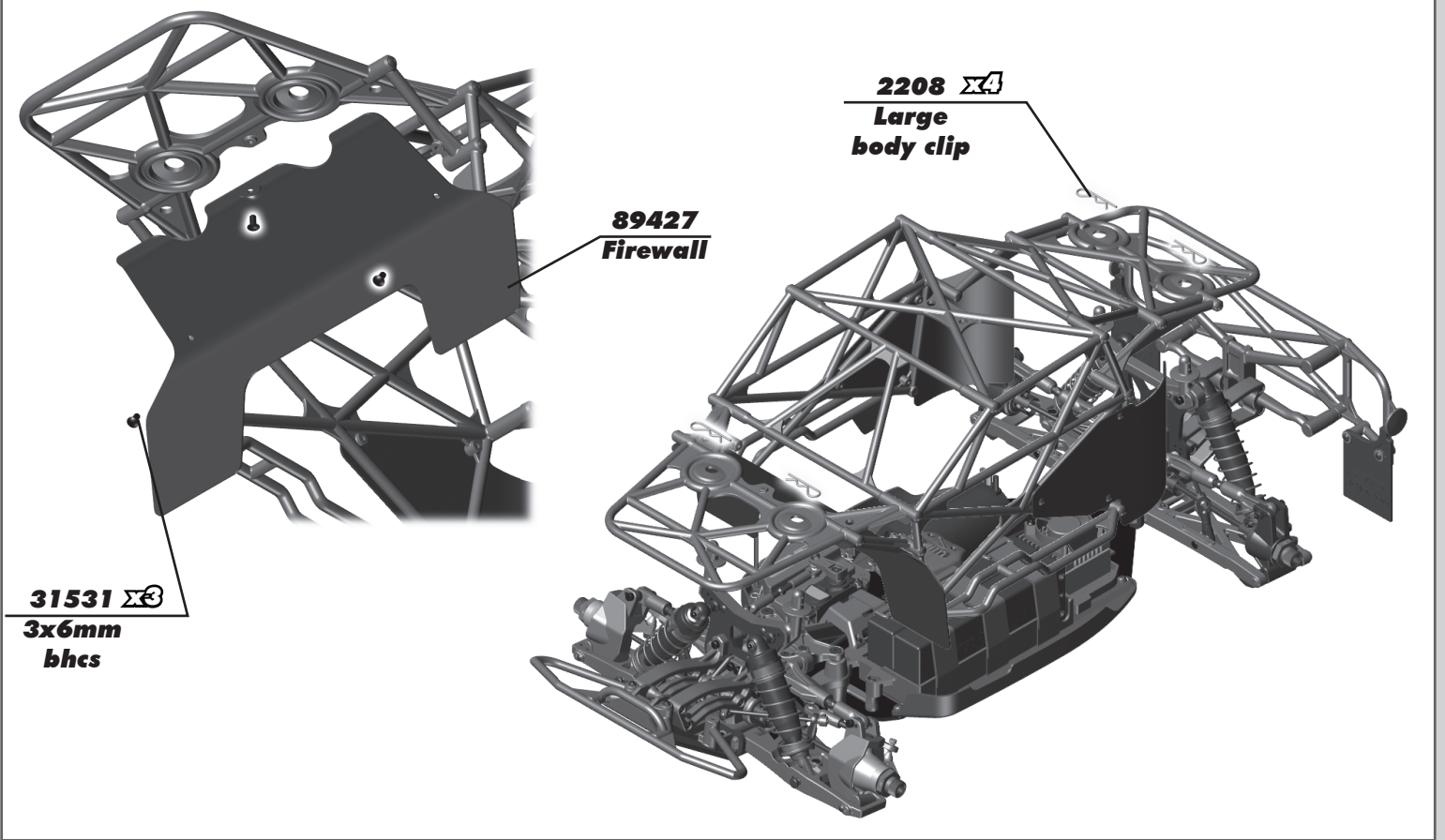
**:: Roll Cage Assembly - (cont.)**



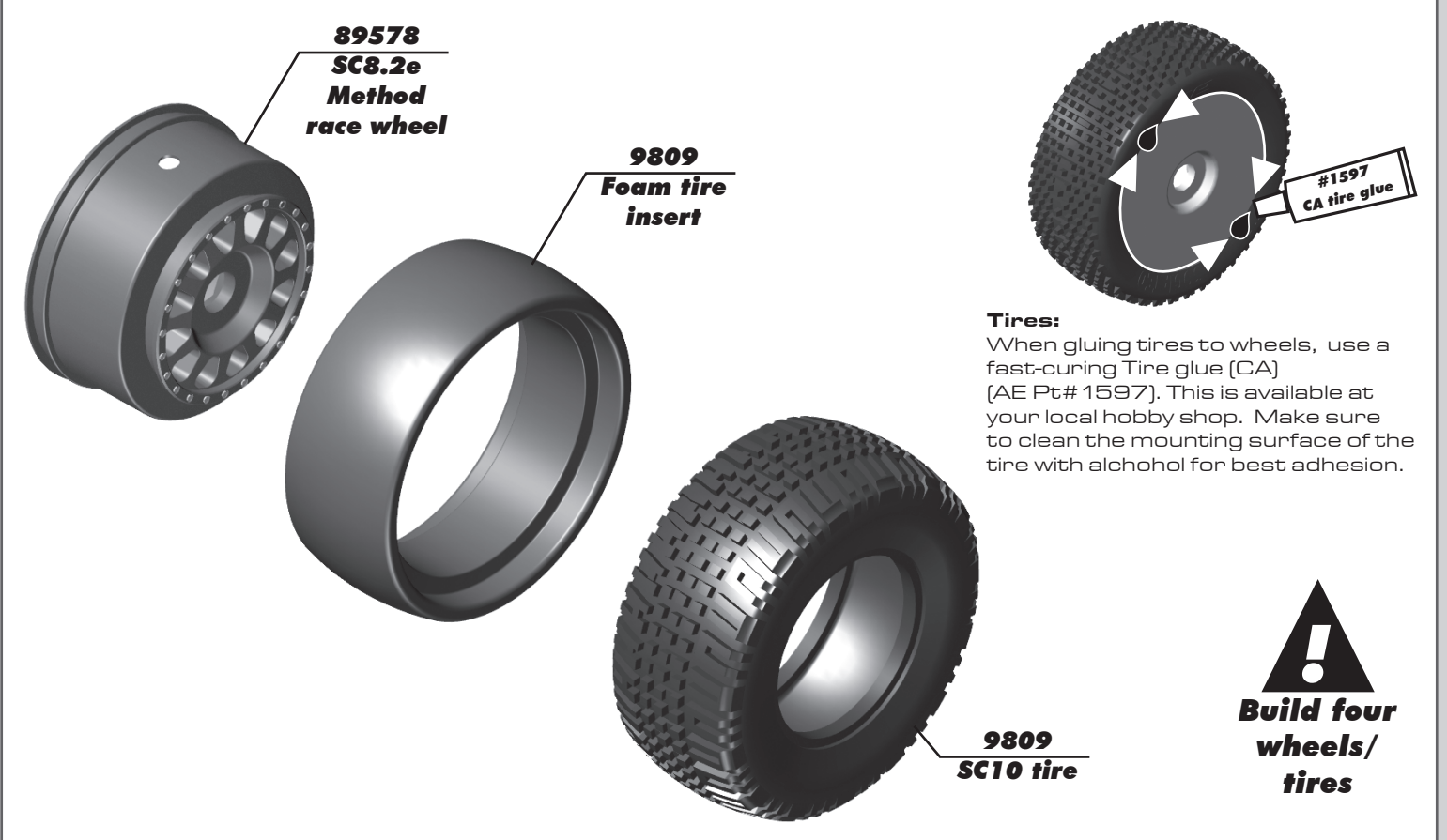
**:: Roll Cage Assembly - (cont.)**



**:: Roll Cage Assembly - (cont.)**

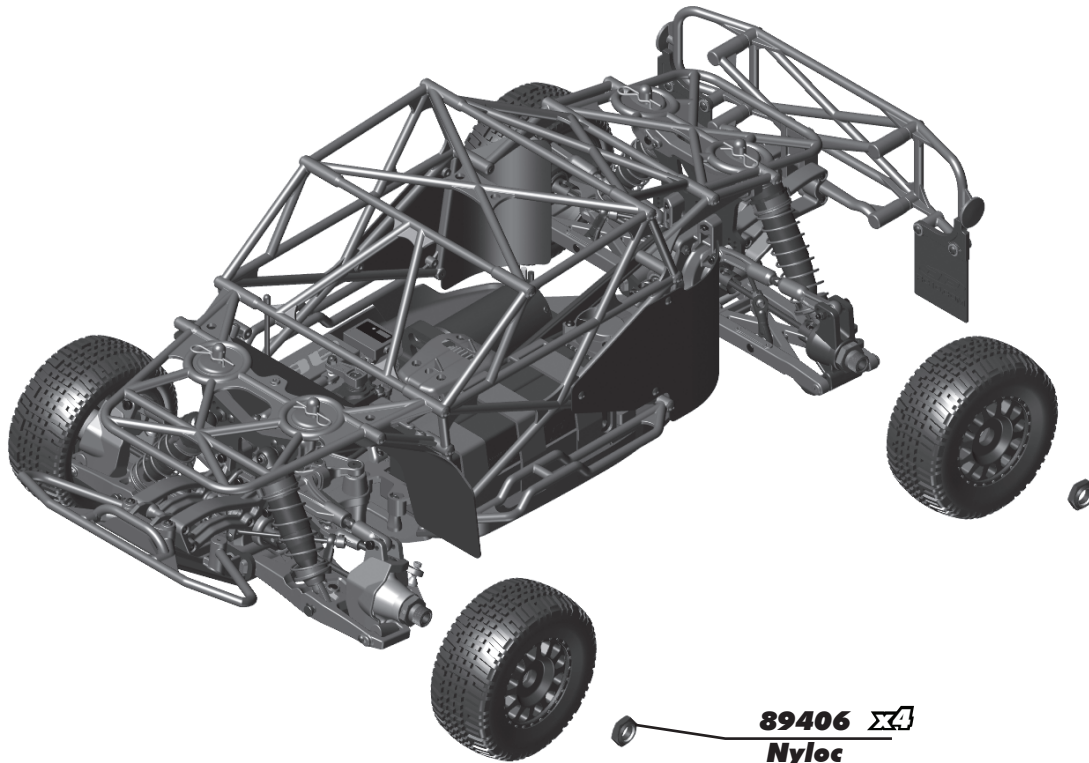


**:: Wheels, Tires, and Body Install**





**:: Wheels, Tires, and Body Install**



**89406**  $\Sigma 4$   
**Nyloc**  
**wheel nuts**  
**(black)**

**:: Wheels, Tires, and Body Install (cont.)**



**2208**  $\Sigma 2$   
**Large**  
**hood**  
**pins**

**See Bodies / Decals**  
**section on page 46**  
**for optional SC8**  
**bodies and decals!**

## :: Chassis Tips

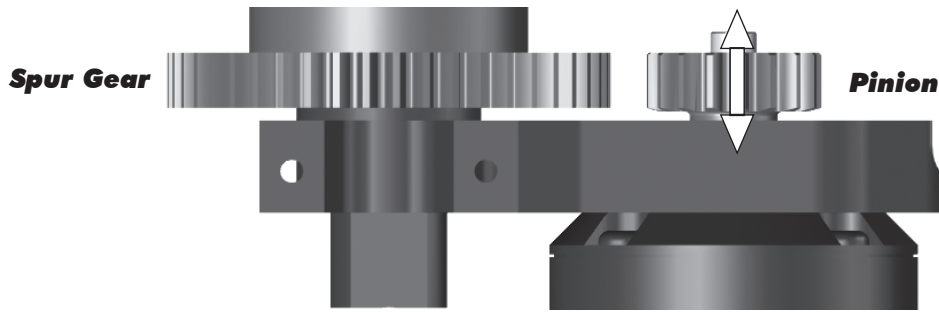
### Gearing:

Follow your motor manufacturer's recommendations for gearing options.

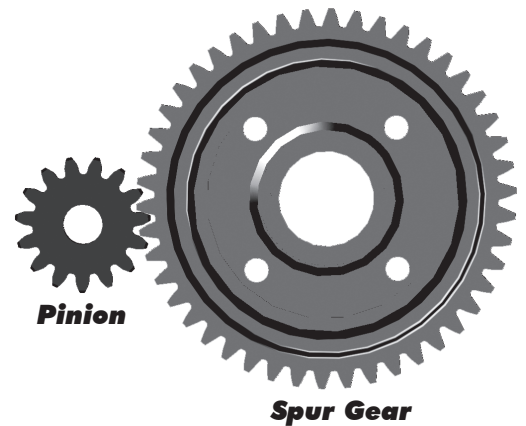
### Gear Mesh:

To correctly set your gear mesh, follow the steps below:

1. Loosen the set screw on the motor's pinion gear. The set screw can be accessed through the slot on the side of the motor mount slide, opposite the spur gear. Slide the pinion on the motor shaft until the gear face of the pinion is entirely aligned with the gear face of the spur gear (see diagram). Tighten the set screw while ensuring it is aligned with the flat face on the motor shaft.



2. Loosen the two motor screws until the motor is able to move freely. Slide the motor as far as it can go towards the spur gear, ensuring that the teeth of the pinion and the spur gear are interlocking. Back the motor off a tiny bit (approximately 0.5 mm), and tighten the screws that lock the motor in place. Proper gear mesh has been achieved when the teeth are meshing closely, but the gears still have a small amount of play between them. If you hold one gear, you should be able to rock the other gear back and forth a small amount. If there is not "free play", your gear mesh is too tight and you should back off the motor a little farther.



### Differential Fluid:

Team Associated includes a complete bottle of 5,000cst diff oil.

You can also provide your own oil and try one of the optional setups.

Standard differential fluid setup: Front = 5,000cst; Center = 5,000cst; Rear = 5,000cst.

Optional diff setup 1 (high grip track): Front = 5,000cst; Center = 10,000cst; Rear = 5,000cst.

### Center Differential:

Use the standard setup for most cases. Some racers will try thicker oil (7,000-10,000cst) when greater acceleration is needed. This is typically done on very smooth tracks since thicker fluid can reduce handling in bumpy conditions.

## :: Front End Tips

### Front Differential:

Use the standard setup for most cases. Try 7,000cst to 10,000cst to get less low speed steering and better acceleration out of turns.

### Kickup Bushing:

Generally more kick-up will provide better handling in the bumps and have better straight line acceleration. Less kick-up will provide more all around steering and have a more aggressive feel.

### Caster:

The standard caster block insert setup is for 16 degrees. The standard inboard kick-up is 9 degrees (2-dot up insert in A-plate). You can reduce the caster using 14 degree inserts (also move both upper cone washers in front of the ball joint) for smoother steering. Changing to 18 degree inserts (also move both upper cone washers behind the ball joint) will typically provide more steering on power but reduce handling in bumpy conditions.

### Front Upper Pivot Insert:

The standard setup is to use 2-dot up in the tower and 1-dot in the top plate. It is recommended to maintain a 1 dot gap (1 mm per dot) front to rear when using 2-dot up in the A-Plate. Reducing the A-Plate insert to 1-dot allows the use of same dot number insert in both tower and top plate. Going up to 3-dot up in the tower will give more turn in, but less steering on power/exit. Going down (1-dot, 2-dot down) will reduce turn in, but give more steering on exit.

### Front Camber Link-Outer:

The standard short location will work the best for most tracks. Going to the long front link will give you more steering, but can make the car less predictable in bumps and exiting turns.

**:: Front End Tips (cont.)****Front Camber Angle:**

A good starting camber setting is  $-2$  degrees. Positive camber, where the top of the tire is leaning out, is typically not recommended.

**Front Toe-In:**

Zero degree toe-in (tires pointing straight forward) is a good starting setting. You can increase turn in by adding 1-2 degrees of toe-out (front of tires point slightly out). Front toe - in is not a typical tuning adjustment used by the Team.

**Front Ride Height:**

The front ride height setting you should use most often is with 29mm of gap between the chassis bottom and the ground. Check the ride height with the FT Ride Height Gauge (# 1449) by lifting up the entire vehicle about 8-12 inches off the bench and drop it. After the suspension "settles" into place, then raise or lower the ride height with the shock clips as necessary and recheck.

**Front Arm Shock Location:**

Inside on the arm will give a more responsive front end. Outside on the arm will be less responsive steering, but will be more predictable through bumps.

**:: Rear End Tips****Rear Differential:**

Start with the standard setup. For expert drivers, the most popular setting is 3,000 cst. The thicker 5,000cst kit oil will rotate less in the turns and accelerate straight on power. The thinner oil (2,000 or 3,000cst) will give more low speed traction.

**Anti-squat:**

Anti-squat denotes the angle of the rear inner hinge pin relative to the ground. This setting is adjusted by changing the insert bushing in the C-Plate. The kit setting is 2 degrees (2-dot down) but you change to 1 degree (3-dot down). Typically less anti-squat lets the suspension work more over the bumps, but it will sacrifice the ability to square up on power.

**Rear Camber Link Length & Vertical Adjustment:**

You can change the length of the camber link on the hub or tower as well as adjust the vertical location on the tower. A longer link will give the feeling of the most grip, but it will not be as responsive to square up on throttle, and might get loose if driven hard. This can easily be corrected by running the shorter link on the hub, but it will sacrifice some forward grip.

Changing to a higher location on the tower will be a smaller adjustment than changing the length of the upper link. Going up on the tower location has a similar effect as a longer camber link, but not as drastic. For example, if you change to the short rear link on the hub and you need to gain more forward grip, try raising the link up on the tower. New additional lower holes should be used when running the optional hinge pin hole in the rear hub carrier.

**Rear Hub Hinge Pin Height:**

The upper hole gives more rear grip on turn in, and good forward traction, but it might have difficulty squaring up out of turns. The lower hinge pin hole in the hub will be more responsive on throttle, and give more side grip in the turns.

**Rear Hub Spacing:**

You have 3 options for rear hub spacing, FWD, MIDDLE, & BACK. The kit setting provides a good balance of rear traction and steering, and will be used most often. Moving the hubs FWD will give more rear traction for low grip tracks. You can use the hubs BACK on high grip tracks for more on-power steering. Also, you can replace the included shims to get intermediate settings.

**Rear Camber:**

A good starting camber setting is  $-2$  degrees. Use the included # 1719 camber gauge to set your camber. Adding a small amount of positive camber, where the top of the tire is leaning out, will tend to improve straight-line acceleration on loose tracks.

**Rear Ride Height:**

The rear ride height setting you should use most often is 29mm of gap between the chassis bottom and ground. Check the ride height with the FT Ride Height Gauge (# 1449) by lifting up the entire vehicle about 8-12 inches off the bench and drop it. After the suspension "settles" into place, then raise or lower the ride height with the shock clips as necessary and recheck.

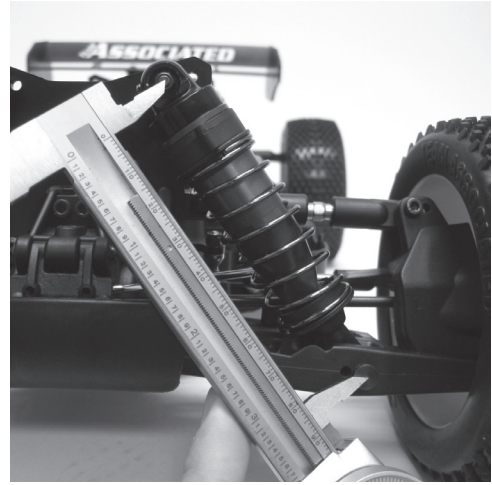
**Rear Arm Shock Location:**

Inside on the arm will give less entry steering, accelerates better straightline through bumps, but may lack side bite. Outside on the arm will be less grip, more steering, but will be more predictable when it breaks traction.

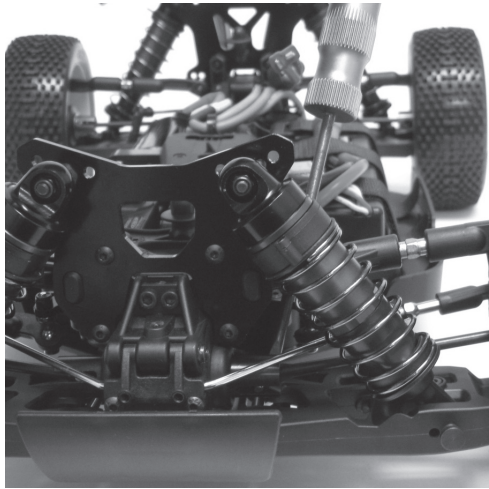


## :: Droop Settings (Buggy shown but applicable for all vehicles)

**Note:** Rear hub spacing is not recommended with RTR dog bones.  
For more adjustability, use CVA's in place of dog bones



**Step 1:** With only the bottom of the shocks attached, the droop screws raised all the way, and the chassis above your working surface so the arms are at full extension, you should be able to easily slide the top of your shock over the standoff screw, while leaving the shock at full extension. If the mounting hole of the shock cap is above or below the standoff screw, adjust the droop screw accordingly. Repeat for all corners of your vehicle. Measure from the center of the standoff screw to the center of the shock riser button to get your FULL DROOP setting. The front shocks should be 109mm, while the rear shocks should be 127.5mm.



**Step 2:** Finish installing the shock to the standoff. Set your vehicle to your desired droop setting. To increase your droop turn the droop screw (from the top) counter-clockwise (loosen), turn the droop screw (from the top) clockwise (tighten) to decrease your droop. Remember, never back the screw out beyond full droop or you could risk damage to your vehicle.

**Front Droop:** Increasing front droop (loosen droop screws) will increase off-throttle steering. It also allows the front end to lift more, giving more rear grip and less front grip on-power. Remember to never loosen the screws beyond the FULL DROOP setting. Decreasing front droop (tighten droop screws) yields more on-power steering and quicker response at the expense of some stability in bumpy sections. It will also give less off-throttle steering.

**Rear Droop:** Increasing rear droop (loosen droop screws) will increase traction in bumpy sections, but will reduce high-speed stability. Remember to never loosen the screws beyond the FULL DROOP setting. Decreasing rear droop (tighten droop screws) will increase stability in high speed sections, but will reduce stability in bumpy sections.

### Setup Sheets:

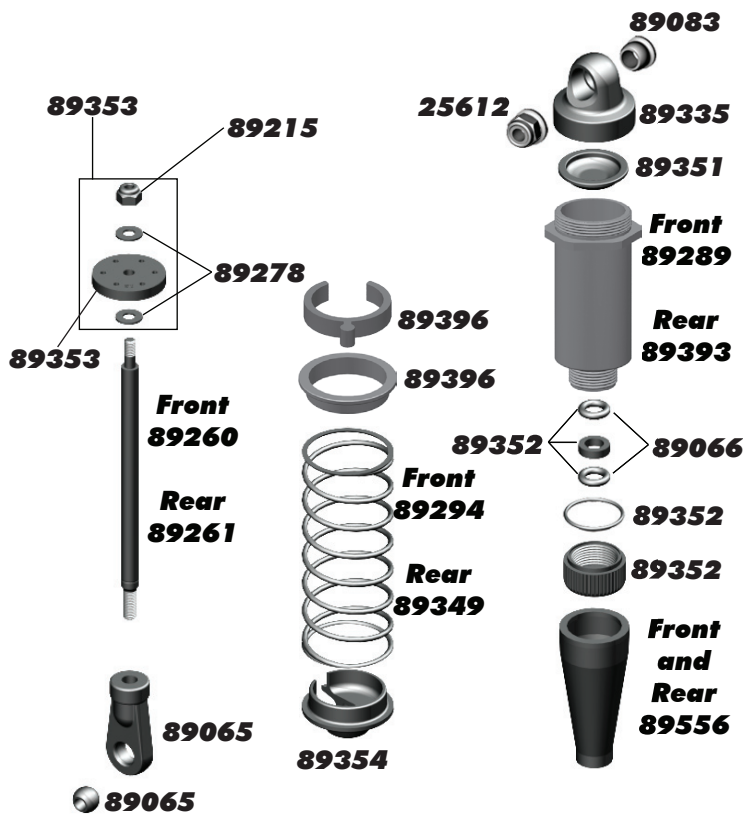
Most often the best way to get your car handling right is to go to our website [www.rc10.com](http://www.rc10.com) and click on the "Setup Sheets" link, then the link to your vehicle, then search for your vehicle. Our team of professional drivers help develop these setups at National events. Also, most drivers have a "base" setup that they use as a starting point for every event. Try running some of our base setups OR look for track conditions and tires that are similar to your local track and mimic that setup. Remember, each adjustment has a purpose, so copy everything from the setup sheet and then make adjustments based on the recommendations in here at <http://www.rc10.com/rc/tuning>.

**Step 3:** Measure from the center of the shock standoff screw to the center of the shock riser button to get your final droop setting. The front shocks should both be set at the same length, as should the rear shocks. \* The normal droop setting is between 0-5mm from the FULL DROOP measurement.



**:: Shocks**

25612	M3 Locknut With Flange	20
89065	Shock Rod End	4
89066	Shock O-Rings	8
89067	Shock Limiters, Set	1
89083	Shock Bushings	4
89215	Piston Locknut	10
89260	29mm RTR Shock Shaft, Front	2
89261	38mm RTR Shock Shaft, Rear	2
89278	2.5mm Washer	20
89288	16x29mm Molded Shock Kit, Set	1
89289	16x29mm Molded Shock Body	2
89335	16mm Shock Caps	2
89351	16mm Shock Bladders	8
89352	16mm Shock Rebuild Kit	1
89353	16mm Shock Pistons	8
89354	16mm Shock Spring Cups	4
89393	16x38mm Molded Shock Body	2
89396	16mm RTR Pre-load Clips, Shock Collar Set	1
89400	16x38mm Molded Shock Kit, Set	1
89556	RC8.2 Shock Boot Set	1

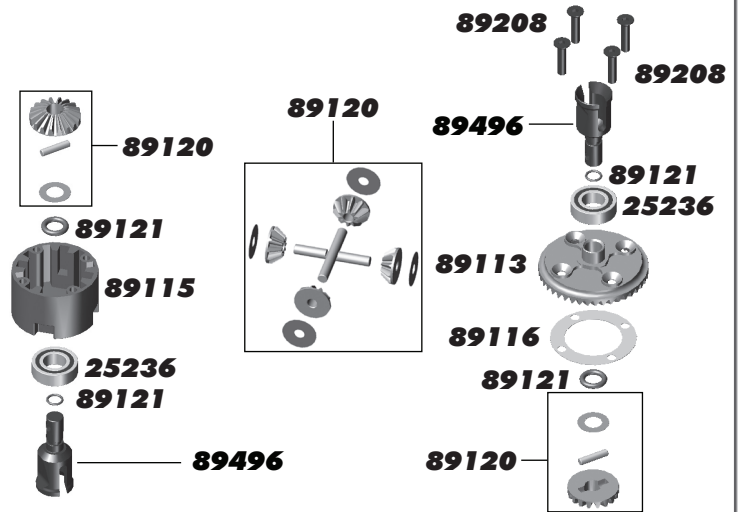


**:: Springs**

89292	16x29mm front spring (3.3lbs)	Pr.
89293	16x29mm front spring (3.9lbs)	Pr.
89294	16x29mm front spring (4.7lbs) - Kit	Pr.
89295	16x29mm front spring complete set	1
89347	16x38mm rear spring black (2.7 lbs)	Pr.
89348	16x38mm rear spring silver (3.3 lbs)	Pr.
89349	16x38mm rear spring bronze (4.0 lbs) - Kit	Pr.
89350	16x38mm rear spring complete set	1

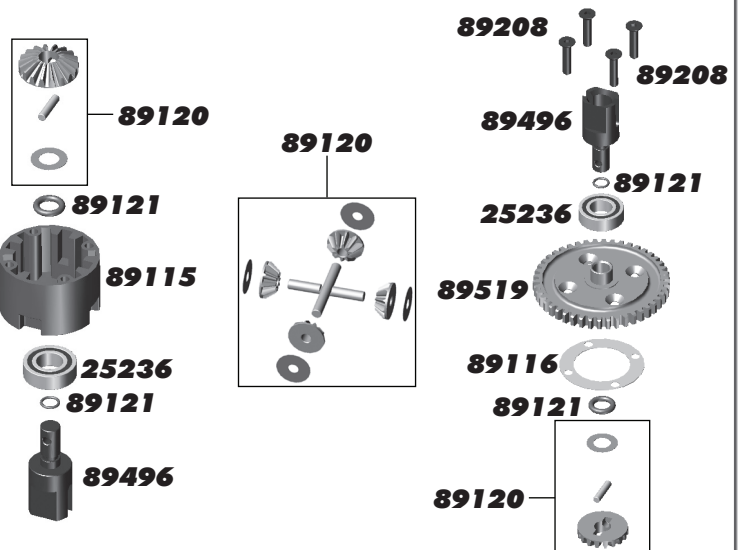
**:: Front and Rear Gear Differential**

25236	8x16x5 Bearings	2
89113	Diff Ring Gear, Includes Diff Gasket	1
89115	Diff Housing	1
89116	Diff Gasket	4
89117	Diff Shims	8
89120	Diff Sun/Planet Gears, Includes Washers and Pins, Set	1
89121	Diff O-Rings, Big and Small, Set	1
89208	3x14mm FHCS	10
89496	Diff Outdrive, 16mm	2



**:: Center Gear Differential**

25236	8x16x5 Bearings	2
89109	Spur Gear 44T, Includes Diff Gasket - metal	1
89110	Spur Gear 46T, Includes Diff Gasket - metal	1
89115	Diff Housing	1
89116	Diff Gasket	4
89120	Diff Sun/Planet Gears, Includes Washers and Pins, Set	1
89121	Diff O-Rings, Big and Small, Set	1
89208	3x14mm FHCS	10
89496	Diff Outdrive, 16mm	2
89519	Plastic Spur Gear 46T, Includes Diff Gasket - Kit	1
89520	Plastic Spur Gear 48T, Includes Diff Gasket	1
89521	Plastic Spur Gear 50T, Includes Diff Gasket	1



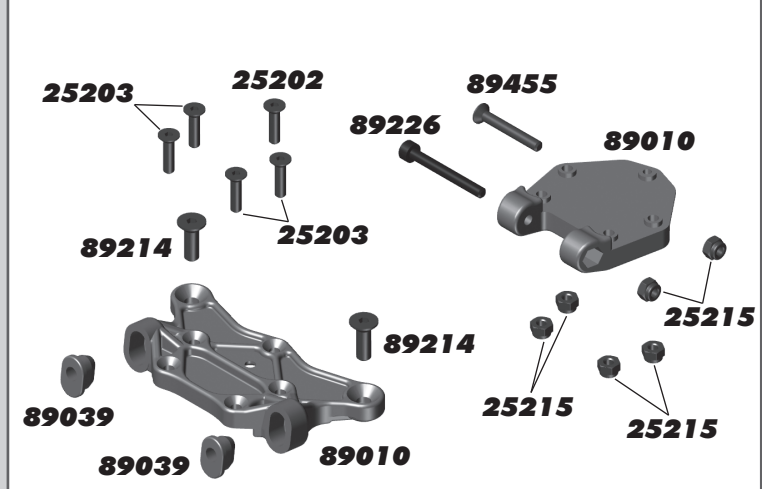
**:: Shock Fluid**

5420	10 Weight Silicone Shock Fluid	2oz.
5421	20 Weight Silicone Shock Fluid	2oz.
5422	30 Weight Silicone Shock Fluid	2oz.
5423	40 Weight Silicone Shock Fluid	2oz.
5424	22.5 Weight Silicone Shock Fluid	2oz.
5425	80 Weight Silicone Shock Fluid	2oz.
5426	27.5 Weight Silicone Shock Fluid	2oz.
5427	15 Weight Silicone Shock Fluid	2oz.
5428	25 Weight Silicone Shock Fluid	2oz.
5429	35 Weight Silicone Shock Fluid	2oz.
5430	45 Weight Silicone Shock Fluid	2oz.
5431	55 Weight Silicone Shock Fluid	2oz.
5432	32.5 Weight Silicone Shock Fluid	2oz.
5433	37.5 Weight Silicone Shock Fluid	2oz.
5434	42.5 Weight Silicone Shock Fluid	2oz.
5435	50 Weight Silicone Shock Fluid	2oz.
5436	60 Weight Silicone Shock Fluid	2oz.
5437	70 Weight Silicone Shock Fluid	2oz.
5438	47.5 Weight Silicone Shock Fluid	2oz.



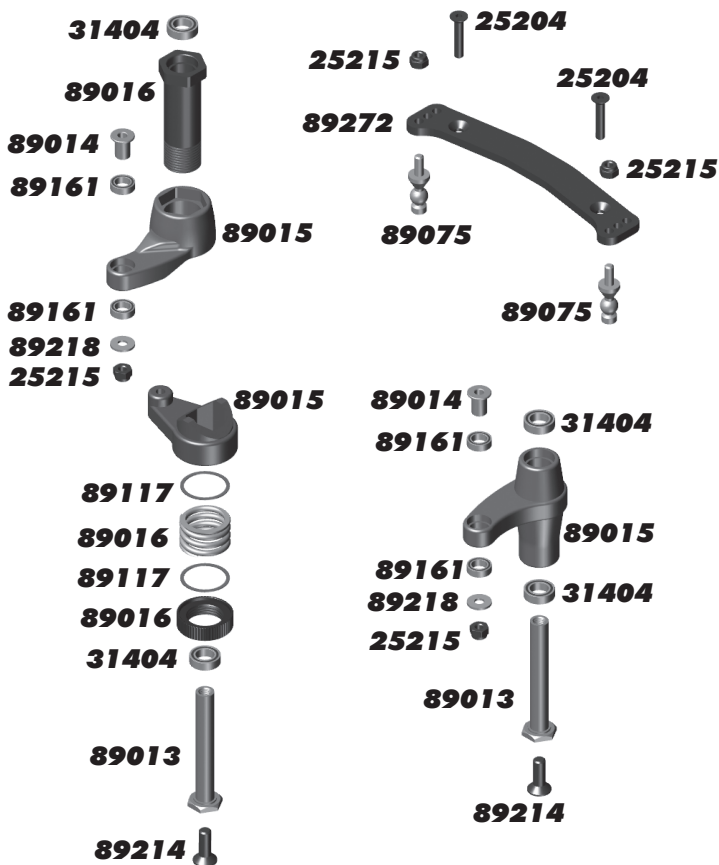
**:: Top Plate**

25202	3x10mm FHCS	20
25203	3x12mm FHCS	20
25215	M3 Locknut	20
89010	Top Plate - Kit	1
89039	Hinge Pin Bushings, 1/2/3 dot, Set	1
89214	4x12mm FHCS	10
89226	3x26mm SHCS	10
89234	Blue Aluminum Top Plate (FT)	1
89236	Black Aluminum Top Plate (FT)	1
89455	3x22mm FHCS	10



**:: Steering**

25204	3x16mm FHCS	20
25215	M3 Locknut	20
31404	6x10mm Bearing	2
89013	Steering Posts	2
89014	Steering Rack Post	2
89015	Servo Saver, Set	1
89016	Servo Saver Bolt, Nut, Spring, Set	1
89075	Steering Ballstuds	4
89117	Diff Shims	8
89161	Steering Bearing Set	1
89214	4x12mm FHCS	10
89218	3x8mm Washer	10
89272	RTR Steering Rack	1



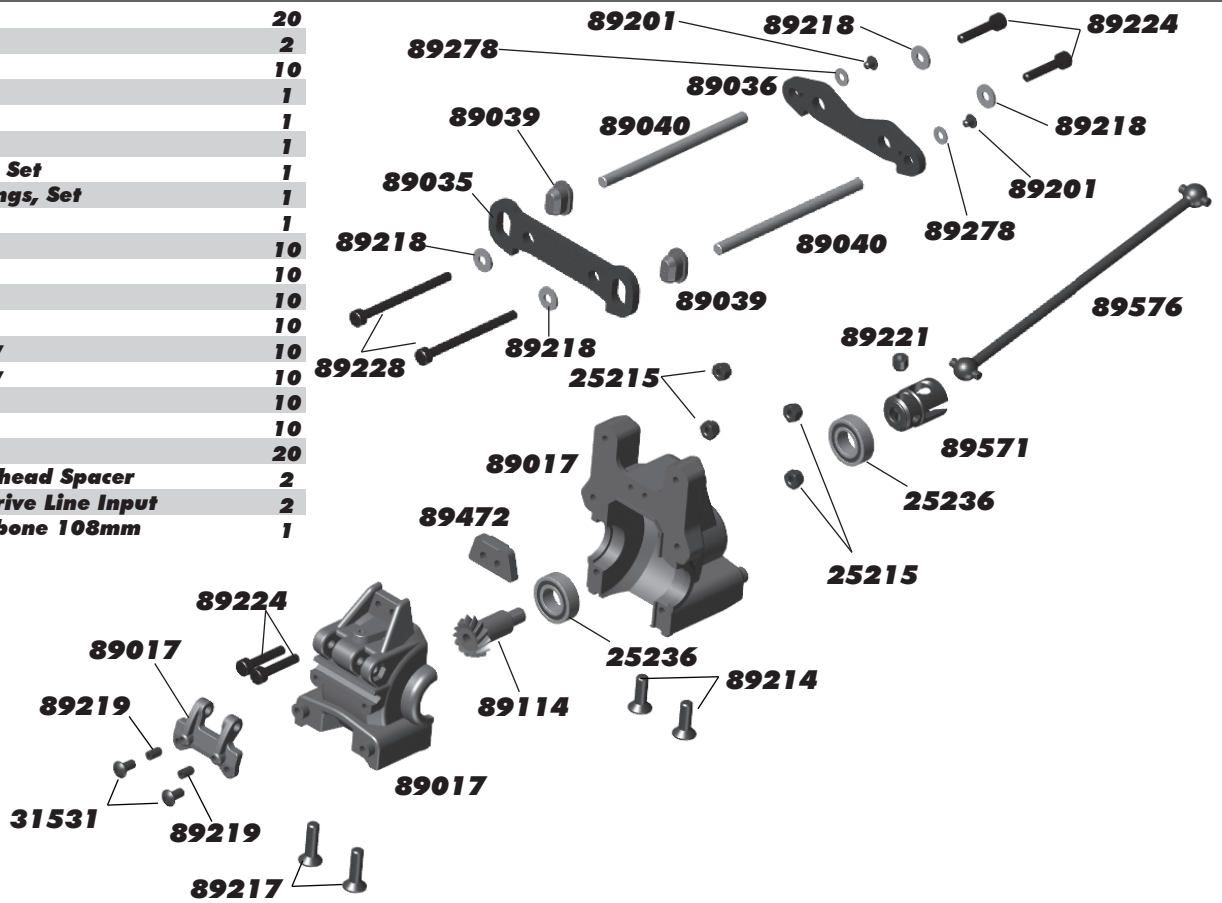
**:: Lubes & Adhesives / Decals / Misc.**

1105	FT Green Slime Shock Lube	1
1596	FT Locking Adhesive	1
1597	FT Tire Adhesive, Medium	1
5450	Silicone Diff Fluid 1000cst	1
5451	Silicone Diff Fluid 2000cst	1
5452	Silicone Diff Fluid 3000cst	1
5453	Silicone Diff Fluid 5000cst	1
5454	Silicone Diff Fluid 7000cst	1
5455	Silicone Diff Fluid 10000cst	1
5456	Silicone Diff Fluid 20000cst	1
5457	Silicone Diff Fluid 30000cst	1
5458	Silicone Diff Fluid 60000cst	1
5459	Silicone Diff Fluid 100000cst	1
6588	Black Grease - 4cc	1
6591	S.Diff Lube - 4cc	1
6636	Silicone Grease - 4cc	1
6727	Servo Tape	2
716	Reedy 2009 Sticker Set	1
717	Reedy Powered Logo Decal	1
3816	American Bumper Sticker	1
3820	AE Logo Decal Sheet	1
3834	AE Blue Embossed Logo Sticker	2



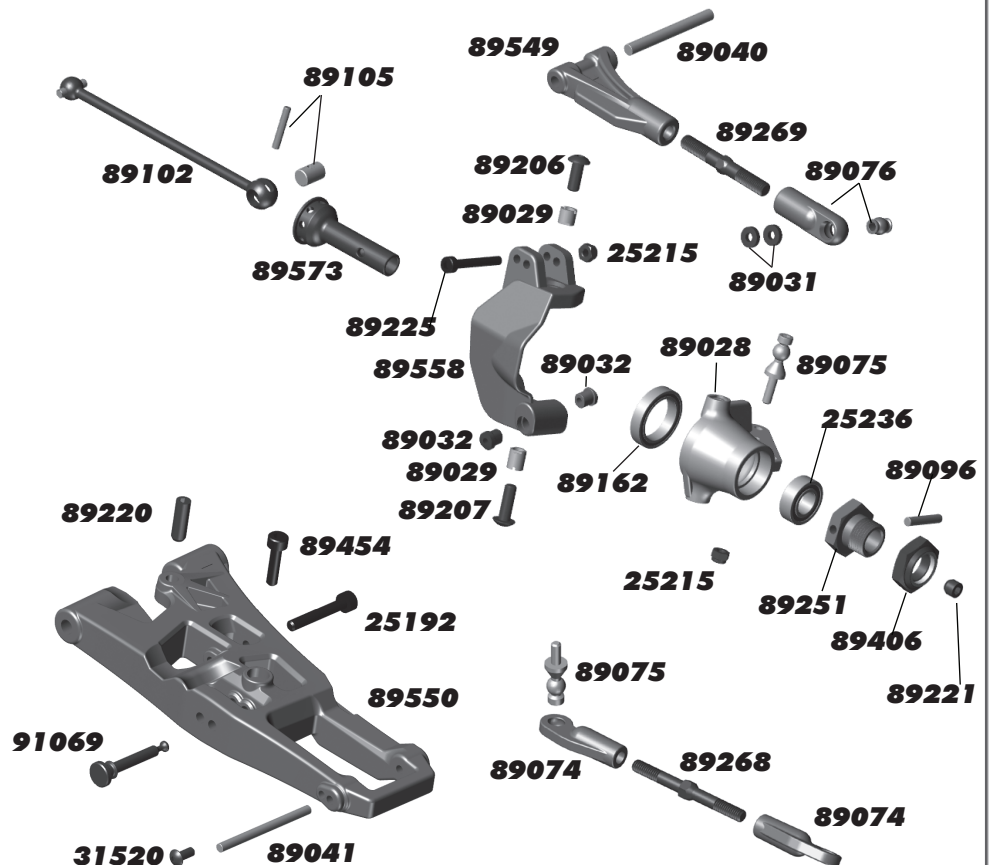
**:: Front Gearbox**

25215	M3 Locknut	20
25236	8x16x5 Bearing	2
31531	3x6mm BHCS	10
89017	FR/RR Gearbox	1
89035	Arm Mount A	1
89036	Arm Mount B	1
89040	Inner Hinge Pin, Set	1
89039	Hinge Pin Bushings, Set	1
89114	Diff Pinion Gear	1
89201	2.5x3mm BHCS	10
89214	4x12mm FHCS	10
89217	4x14mm FHCS	10
89218	3x8mm Washer	10
89219	3x5mm Setscrew	10
89221	5x4mm Setscrew	10
89224	3x16mm SHCS	10
89228	3x40mm SHCS	10
89278	2.5mm Washer	20
89472	RC8B Front Bulkhead Spacer	2
89571	SC8.2e Center Drive Line Input	2
89576	SC8.2e RTR Dogbone 108mm	1



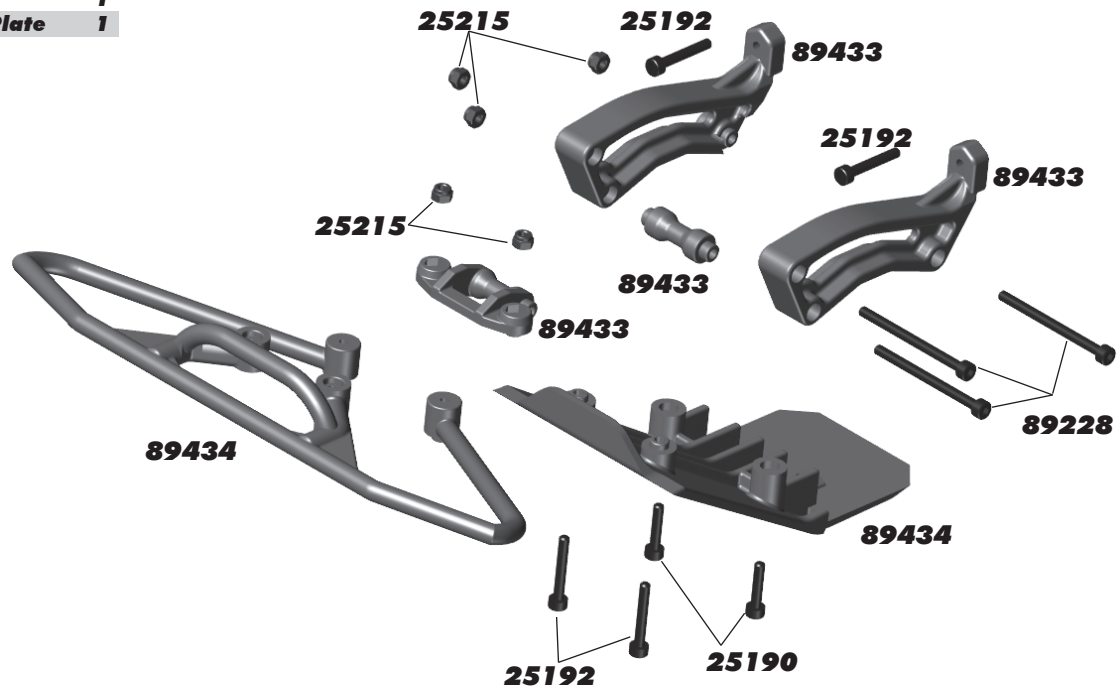
**:: Front Suspension**

25192	3x20mm SHCS	20
25215	M3 Locknut	20
25236	8x16x5 Bearing	2
31520	2.5x6mm BHCS	6
89028	Steering Blocks	Pr.
89029	Steering Block Bushings, Set	1
89031	Caster/Hub Spacers, Set	1
89032	Caster Angle Bushings, Set	1
89040	RC8 Inner Hinge Pins, Set	1
89041	RC8 Outer Hinge Pins, Set	1
89074	Steering Rod Ends	4
89075	RC8 Steering Ballstuds	4
89076	RC8 Camber Rod Ends, Set	1
89096	RC8 Wheel Hex Pins	4
89102	RC8 Front/Rear CVA Bone	2
89105	RC8 CVA Rebuild FR/RR, Set	1
89162	15x21x4 Bearing	2
89206	4x10mm BHCS	10
89207	4x12mm BHCS	10
89220	4x12mm Setscrew	10
89221	5x4mm Setscrew	10
89225	3x24mm SHCS	10
89251	Wheel Hex Drive	Pr.
89268	42mm Steel Turnbuckle	2
89269	Steel turnbuckle, 38mm	2
89406	Nyloc Wheel Nuts, Black	4
89454	3x12mm SHCS	10
89549	RC8.2 Front Upper Arms	Pr.
89550	RC8.2 Front Arms	Pr.
89558	RC8.2 Caster Blocks	Pr.
89573	SC8.2e Light Weight CV Axle, Steel	2
91069	Shock Mount Pin, Steel	4



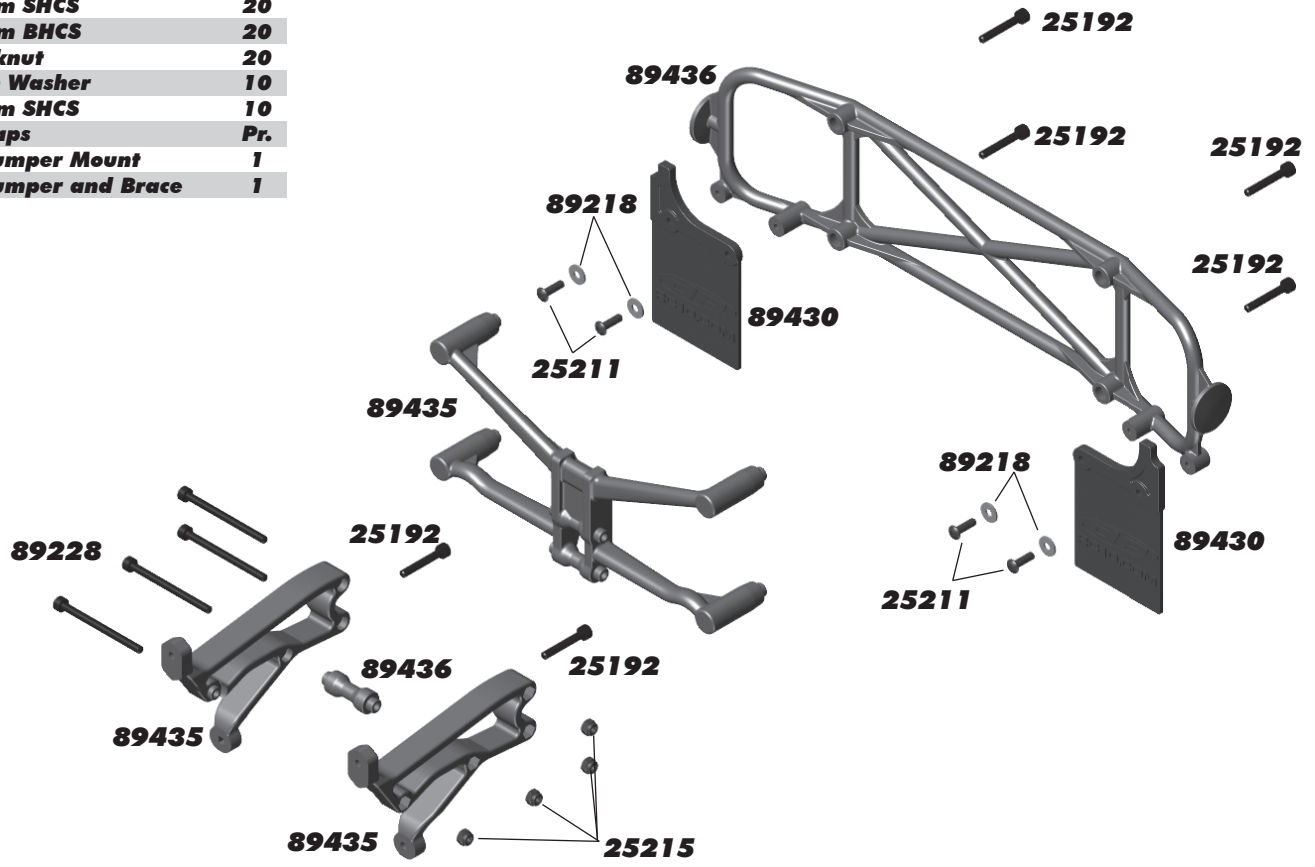
**:: Front Bumper**

<b>25190</b>	<b>3x14mm SHCS</b>	<b>20</b>
<b>25192</b>	<b>3x20mm SHCS</b>	<b>20</b>
<b>25215</b>	<b>M3 Locknut</b>	<b>20</b>
<b>89228</b>	<b>3x40mm SHCS</b>	<b>10</b>
<b>89433</b>	<b>Front Bumper Mount</b>	<b>1</b>
<b>89434</b>	<b>Front Bumper and Skid Plate</b>	<b>1</b>



**:: Rear Bumper**

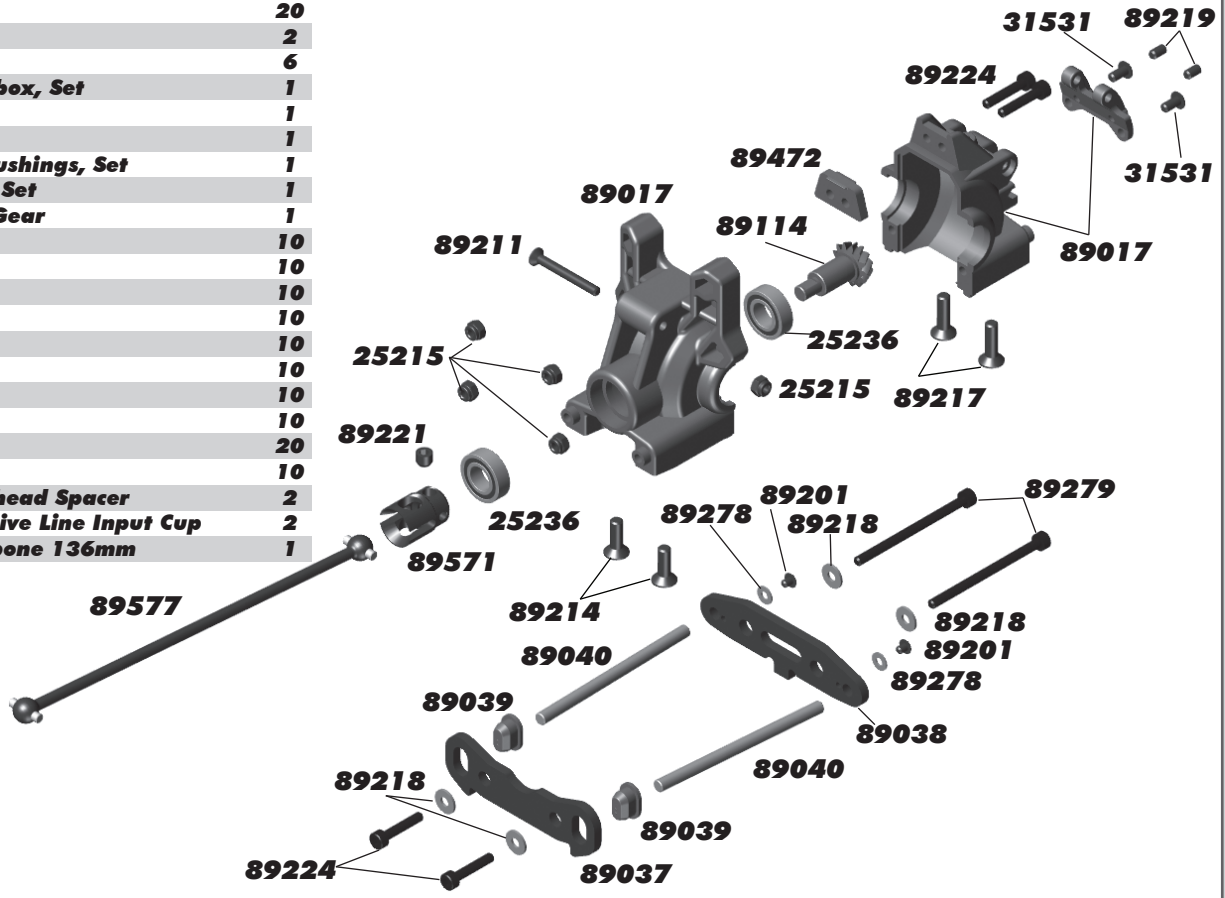
<b>25192</b>	<b>3x20mm SHCS</b>	<b>20</b>
<b>25211</b>	<b>3x10mm BHCS</b>	<b>20</b>
<b>25215</b>	<b>M3 Locknut</b>	<b>20</b>
<b>89218</b>	<b>3x8mm Washer</b>	<b>10</b>
<b>89228</b>	<b>3x40mm SHCS</b>	<b>10</b>
<b>89430</b>	<b>Mud Flaps</b>	<b>Pr.</b>
<b>89435</b>	<b>Rear Bumper Mount</b>	<b>1</b>
<b>89436</b>	<b>Rear Bumper and Brace</b>	<b>1</b>





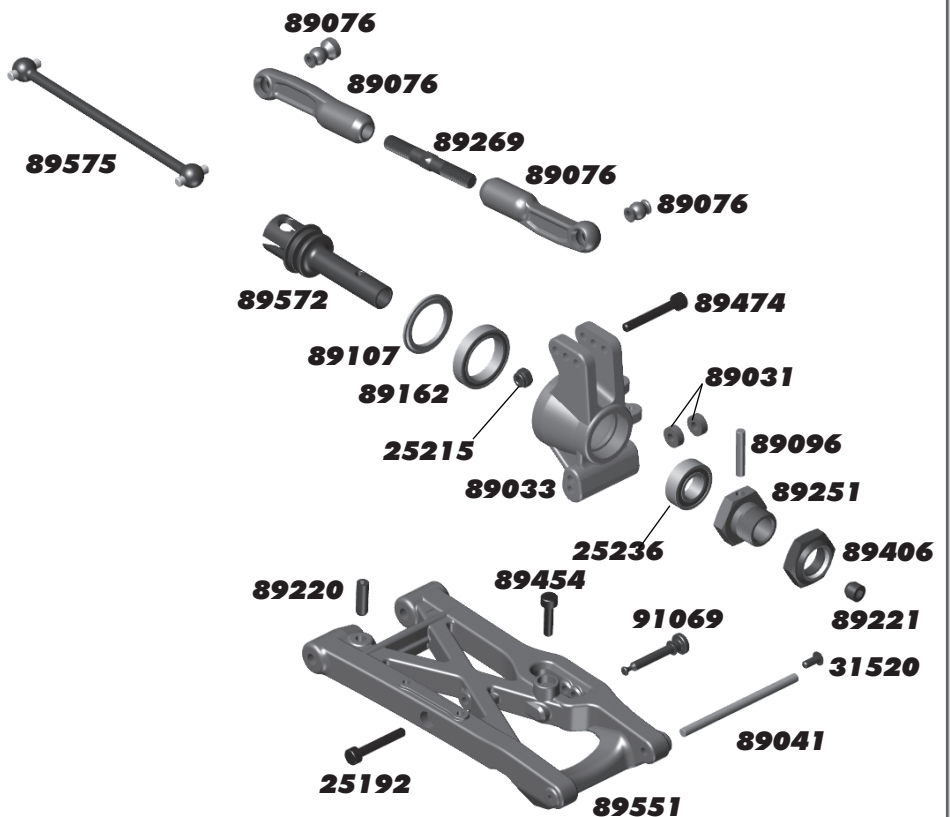
**:: Rear Gearbox**

25215	M3 Locknut	20
25236	8x16x5 Bearing	2
31531	3x6mm BHCS	6
89017	RC8 FR/RR Gearbox, Set	1
89037	Arm Mount C	1
89038	Arm Mount D	1
89039	RC8 Hinge Pin Bushings, Set	1
89040	Inner Hinge Pin, Set	1
89114	RC8 Diff Pinion Gear	1
89201	2.5x3mm BHCS	10
89211	3x26mm FHCS	10
89214	4x12mm FHCS	10
89217	4x14mm FHCS	10
89218	3x8mm Washer	10
89219	3x5mm Setscrew	10
89221	5x4mm Setscrew	10
89224	3x16mm SHCS	10
89278	2.5mm Washer	20
89279	3x45mm SHCS	10
89472	RC8B Front Bulkhead Spacer	2
89571	SC8.2e Center Drive Line Input Cup	2
89577	SC8.2e RTR Dogbone 136mm	1



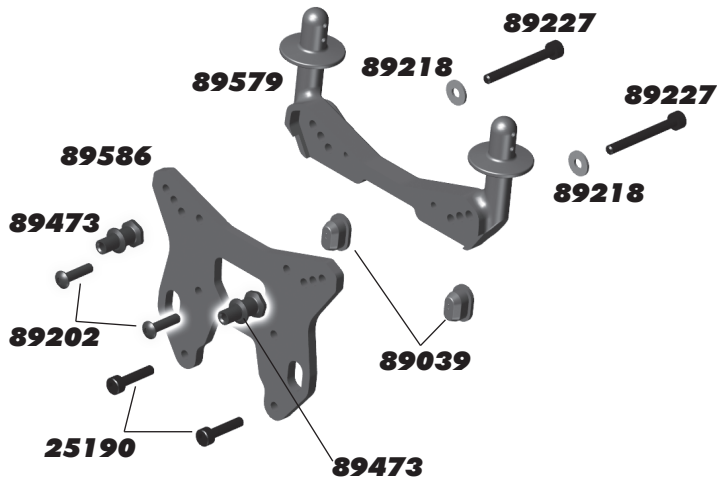
**:: Rear Suspension**

25192	3x20mm SHCS	20
25215	M3 Locknut	20
25236	8x16x5 Bearings	2
31520	2.5x6mm BHCS	6
89031	RC8 Caster/Hub Spacers, Set	1
89033	RC8 Hub Carriers	Pr.
89041	RC8 Outer Hinge Pins, Set	1
89076	RC8 Camber Rod Ends, Set	1
89096	RC8 Wheel Hex Pins	4
89107	RC8 Rear CVA Shield/Boot, Set	1
89162	15x21x4 Bearing	2
89220	4x12mm Setscrew	10
89221	5x4mm SHCS	10
89251	Wheel Hex Drive	Pr.
89269	38mm Steel Turnbuckle	2
89406	Nyloc Wheel Hex Nuts (Black)	4
89454	3x12mm SHCS	10
89474	3x22mm SHCS	10
89551	RC8.2 Rear Arms	Pr.
89572	SC8.2e Dog Bone Axle	2
89575	SC8.2e RTR Dogbone 83mm	2
91069	Shock Mount Pin, Steel	4



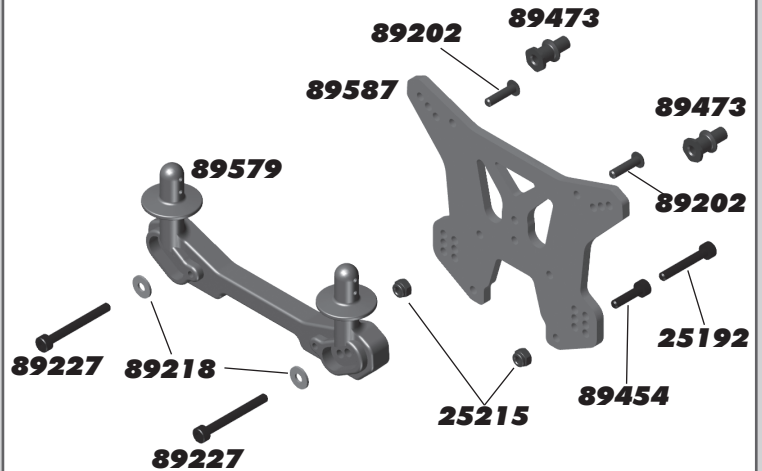
**:: Front Shock Tower**

25190	3x14mm SHCS	20
89039	Hinge Pin Bushings, 1/2/3dot Set	1
89202	3x12mm BHCS	10
89218	3x8mm Washer	10
89227	3x28mm SHCS	10
89473	RC8B Steel Shock Stand-offs	4
89579	SC8.2e RTR Body Mounts (Front, Rear)	1
89586	RC8.2e RTR Front Shock Tower	1



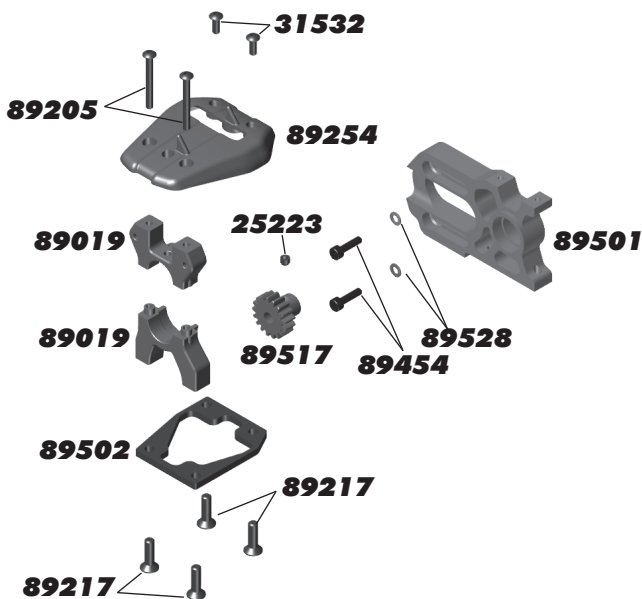
**:: Rear Shock Tower**

25192	3x20mm SHCS	20
25215	M3 Locknut	20
89202	3x12mm BHCS	10
89218	3x8mm Washer	10
89227	3x28mm SHCS	10
89454	3x12mm SHCS	10
89473	RC8 Steel Shock Standoffs	4
89579	SC8.2e RTR Body Mounts (Front, Rear)	1
89587	RC8.2e RTR Rear Shock Tower	1



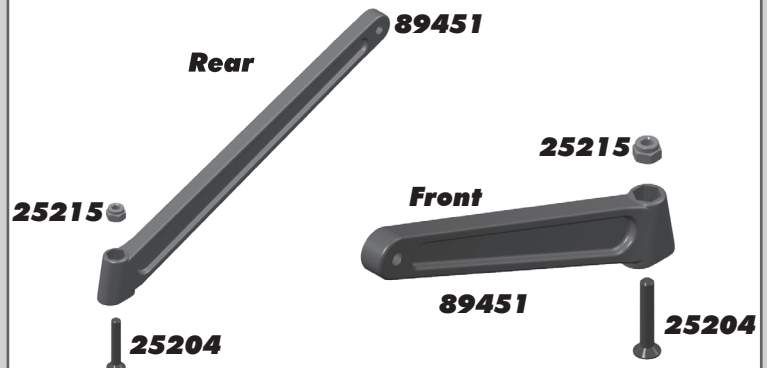
**:: Center Bulkhead**

25223	4x3mm Setscrew (for use with pinions)	20
31532	3x8mm BHCS	6
89019	RC8 Center Bulkhead, Set	1
89205	3x26mm BHCS	10
89217	4x14mm FHCS	10
89254	Center Top Plate	1
89454	3x12mm SHCS	10
89501	Motor Mount/Bulkhead	1
89502	Center Diff Riser	1
89512	RC8e 12T Pinion	1
89513	RC8e 13T Pinion	1
89514	RC8e 14T Pinion	1
89515	RC8e 15T Pinion	1
89516	RC8e 16T Pinion	1
89517	RC8e 17T Pinion - Kit	1
89528	3x5.6x0.5mm Washer, Steel	10



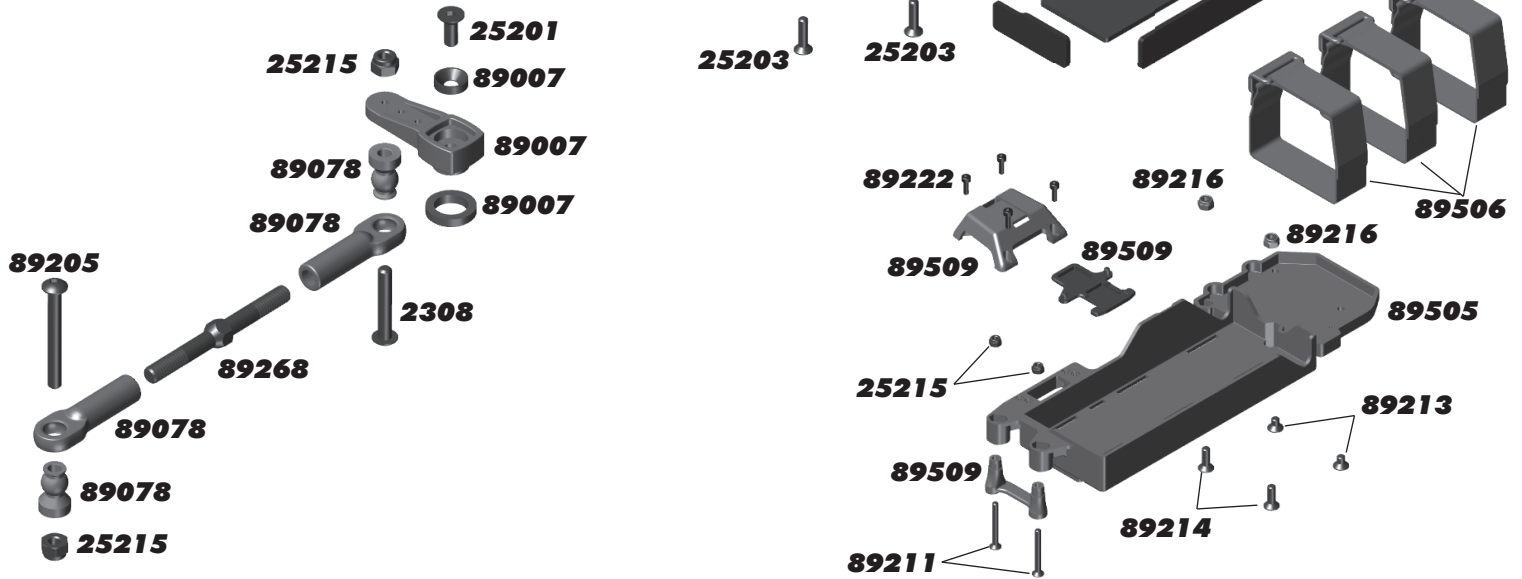
**:: Chassis Braces**

25204	M3x16mm FHCS	20
25215	M3 Locknut	20
89077	Chassis Brace Rod Ends, Set (use with 89320, 89321)	1
89320	RC8T Front Chassis Brace Set	1
89321	RC8T Rear Chassis Brace Set	1
89378	FT RC8T Aluminum Chassis Brace, Front	1
89379	FT RC8T Aluminum Chassis Brace, Rear	1
89451	RTR Chassis Brace Set	1



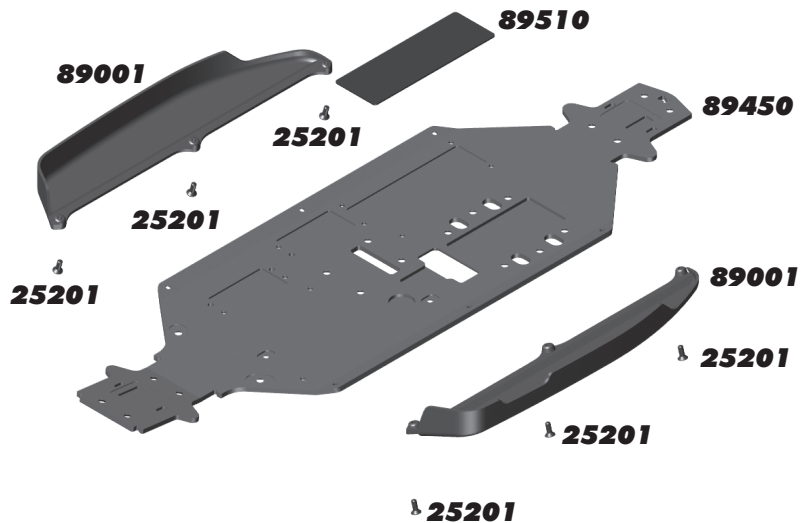
**:: Radio Tray**

2308	3x18mm BHCS	6
6338	Antenna Tube and Cap	1
21173	18T Body Clips	12
25187	3x14mm BHCS	20
25201	3x8mm FHCS	20
25203	3x12mm FHCS	20
25215	M3 Locknut	20
31531	3x6mm BHCS	6
89006	RC8 Servo Mount Spacers, Set	1
89007	Steering Servo Horns, Set	1
89078	RC8 Servo Link Rod Ends, Set	1
89205	3x26mm BHCS	10
89211	3x26mm FHCS	10
89213	4x6mm FHCS	10
89214	4x12mm FHCS	10
89216	M4 Locknut	10
89218	3x8mm Washer	10
89219	3x5mm Setscrew	10
89222	2.5x8mm SHCS	10
89268	Steel Turnbuckle, 42mm	2
89504	RC8e Radio Tray	1
89505	RC8e Battery Tray	1
89506	Hook and Loop Battery Straps, Set	1
89507	Battery Tray Pads, Set	1
89509	Battery Tray Accessories, Set	1



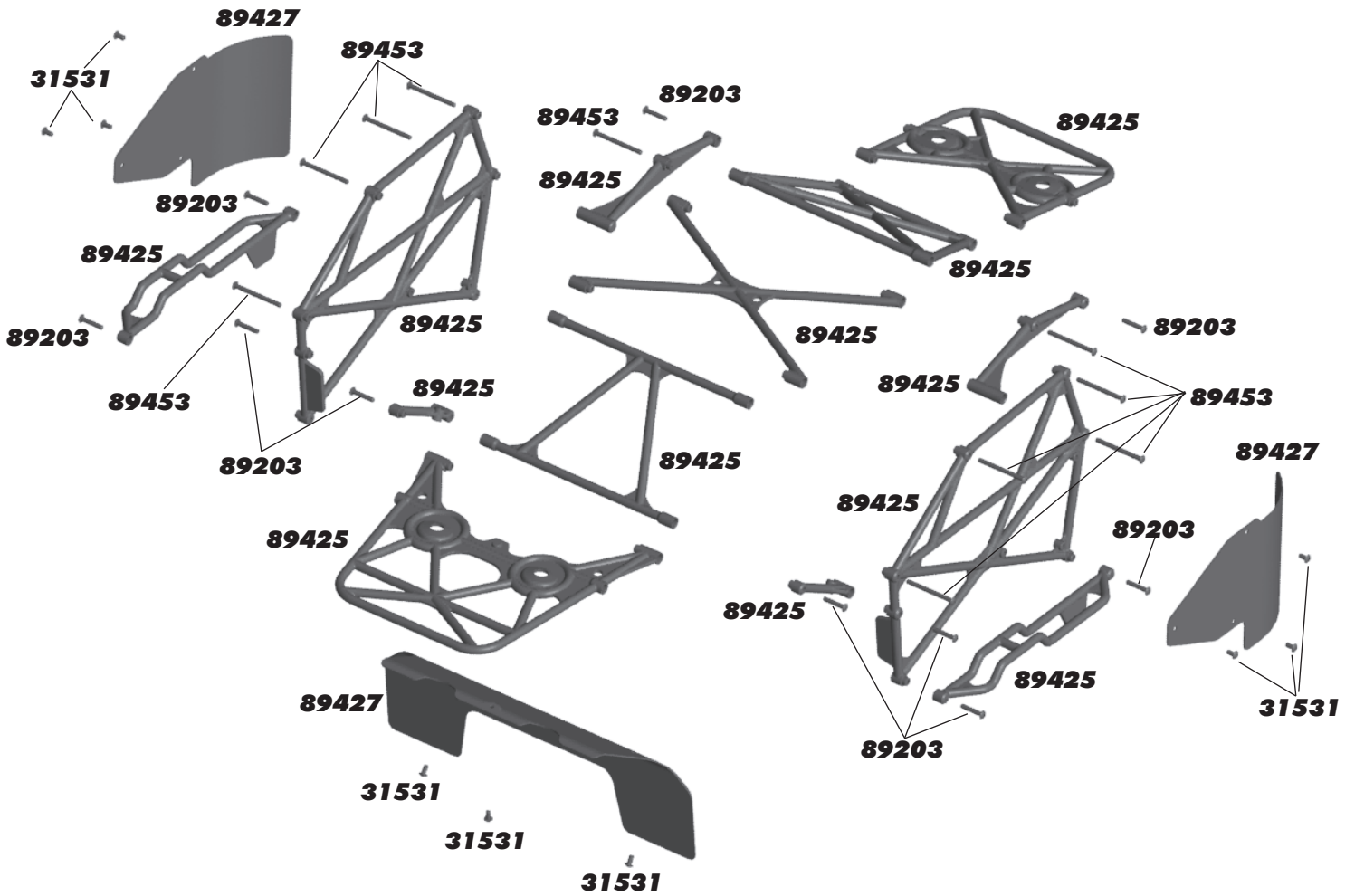
**:: Chassis**

25201	3x8mm FHCS	20
89001	Side Guards, Right and Left	Pr.
89450	SC8/RC8T RTR Chassis	1
89510	Motor Pad	1



**:: Roll Cage**

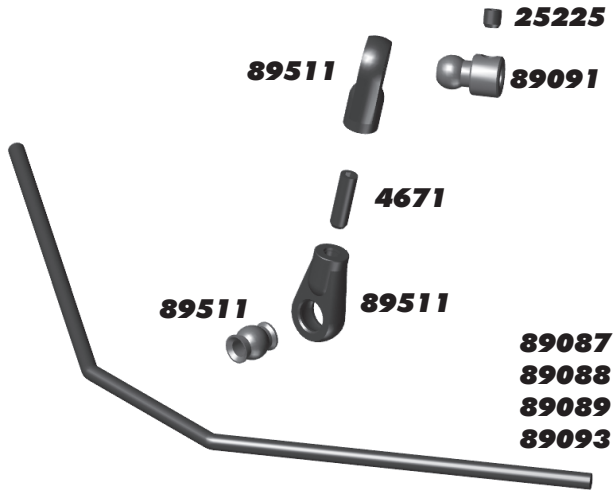
<b>31531</b>	<b>3x6mm BHCS</b>	<b>6</b>
<b>89203</b>	<b>3x16mm BHCS</b>	<b>10</b>
<b>89425</b>	<b>SC8 Roll Cage</b>	<b>1</b>
<b>89427</b>	<b>Firewall and Dirt Shields</b>	<b>1</b>
<b>89453</b>	<b>3x35mm BHCS</b>	<b>10</b>





**:: Anti-Swaybars**

4671	3x10mm Setscrew	6
25225	3x3mm Setscrew	20
89086	FT Antiroll Bar Set	1
89087	FT Antiroll Bar Black, 2.2mm	1
89088	FT Antiroll Bar Silver, 2.5mm	1
89089	FT Antiroll Bar Gold, 2.8mm - Kit	1
89091	FT Antiroll Bar Socket Joint	4
89093	FT Antiroll Bar Black, 3.0mm	1
89511	RC8.2e RTR Swaybar Link Set	1



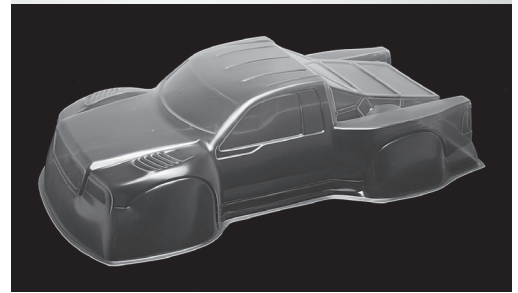
**:: Body / Decals**

1737	FT Body Scissors	1
2208	Large Hood Pins	6
89441	AE SC8 Decal Sheet	1
89442	SC8 Clear Body	1
89444	AE Team SC8 Body, Pre-Painted/Detailed	1
89448	Lucas Oil SC8 Body, Pre-Painted/Detailed	1
89449	Pro Comp SC8 Body, Pre-Painted/Detailed	1
89457	Rockstar-Makita SC8e Body, Pre-Painted/Detailed	1
89458	Rockstar-Makita SC8e Decal Sheet	1
89496	Slick Mist SC8e Body, Pre-Painted/Detailed	1
89497	Slick Mist SC8e Decal Sheet	1

89444

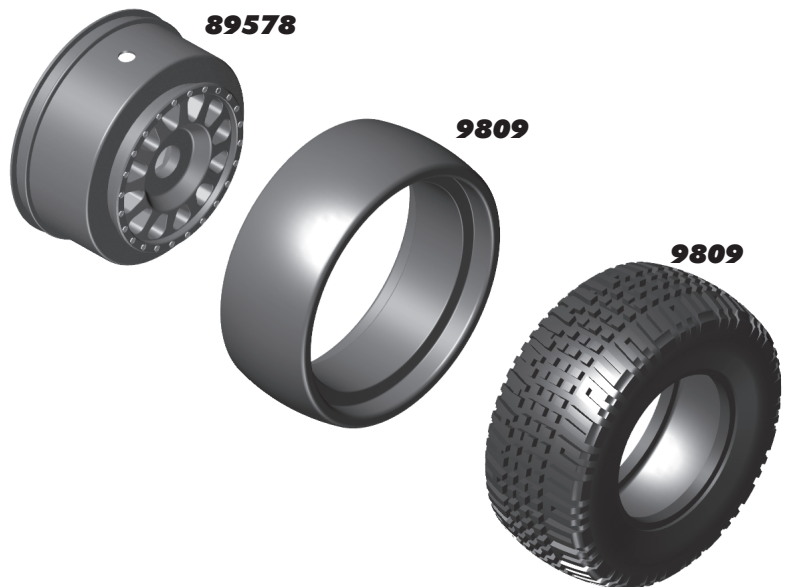


89442



**:: Wheels / Tires**

9809	SC10 Tire, With Foam Insert - Kit	Pr.
89401	KMC Wheel (Silver)	4
89402	KMC Wheel (Black)	4
89403	12 Spoke Wheel (Silver)	4
89404	12 Spoke Wheel (Black)	4
89407	Beadguard (Silver)	4
89408	Beadguard (Black)	4
89409	Beadguard (Red)	4
89410	Beadguard (Blue)	4
89411	Beadguard (Green)	4
89412	Beadguard (Gold)	4
89416	2x4mm BHCS (Black)	50
89417	2x4mm BHCS (Silver)	50
89418	12 Spoke Wheel (Silver) / Tires w/ Silver Beadguards	1
89419	KMC Wheel (Silver) / Tires w/ Silver Beadguards	1
89420	KMC Wheel (Black) / Tires w/ Black Beadguards	1
89421	KMC Wheel (Black) / Tires w/ Red Beadguards	1
89422	SC8 Tires and Inserts	4
89578	SC8.2e Method Race Wheel, Black - Kit	2
89588	SC8.2e Method Race Wheel, Chrome - Kit	2



**:: Factory Team and Option Parts**

25392	3mm Blue Locknut, Flanged	10
31550	M3 Aluminum Lock Nut	6
80930	1/8 Scale Electric Conversion Kit	1
89005	Aluminum Antenna Mount	1
89012	RC8 Steering Rack, Carbon Fiber	1
89016	Servo Saver Bolt, Nut, Spring	1
89020	Center Bulkhead Plate CF	1
89045	RC8 FT 0.5 Degree Toe Bushing	1
89053	Gold Shock Shaft 29mm	2
89054	Gold Shock Shaft 38mm	2
89070	RC8 Ti Turnbuckle Set	1
89071	Camber Turnbuckles 5mm	2
89073	Servo Turnbuckle 4mm	1
89082	RC8 Shock Standoffs, Aluminum	4
89094	Nyloc Wheel Hex Nuts, Blue	2
89095	Wheel Hex, Aluminum	2
89160	Drivetrain Bearing, Set	1
89161	Steering Bearing Set	1
89229	Blue Countersunk Washer	10
89234	Blue Aluminum Top Plate (FT)	1
89235	RC8 CNC Aluminum Steering Rack	1
89236	Black Aluminum Top Plate (FT)	1
89237	RC8 Skid Plate	1
89284	RC8 Rear Stub Axle (Aluminum)	2
89285	RC8 Front Stub Axle (Aluminum)	2
89286	RC8 Gearbox Input Cup (Aluminum)	2
89290	FT 16x29mm Front Shock Kit	1
89291	FT 16x29mm Front Shock Bodies, Hard Coated & Threaded - requires #89555 shock shafts	Pr.
89320	RC8T Front Chassis Brace Set	1
89321	RC8T Rear Chassis Brace Set	1
89344	FT 16x38mm Rear Shock Bodies, Hard Coated & Threaded - requires #89555 shock shafts	Pr.
89346	FT 16x38mm Rear Shock Kit	1
89355	16mm Shock Collar, threaded	2
89378	FT RC8T Aluminum Chassis Brace, Front	1
89379	FT RC8T Aluminum Chassis Brace, Rear	1
89380	RC8 FT Machined Steering Blocks	Pr.
89381	RC8 FT Machined Rear Hubs	Pr.
89405	Nyloc Wheel Nuts (Silver)	4
89406	Nyloc Wheel Nuts (Black)	4
89456	16mm Piston 10x1.1	4
89460	RC8 Aluminum A-Plate	1
89461	RC8 Aluminum B-Plate w/Pins, Set	1
89462	RC8 Aluminum C-Plate	1
89463	RC8 Aluminum D-Plate w/Pins, Set	1
89466	RC8B Inner Hinge Pins, 4mm HMA, Set	1
89467	HD Shock Shaft, 4x29mm	1
89468	HD Shock Shaft, 4x38mm	1
89469	HD Shock Ends, Set	1
89470	RC8B Shock Tower Hinge Pin Bushings, Set	1
89473	Steel Shock Standoff	2
89477	FT RC8B Light Outdrive, Front	2
89478	FT RC8B Light Outdrive, Rear	2
89481	FT RC8B Low B-Plate	1
89482	FT RC8B Low B-Plate Inserts	2
89485	FT RC8B Aluminum Steering Posts	2
89487	RC8.2 FT Rear Swaybar, 2.5 Green	1
89488	RC8.2 FT Rear Swaybar, 2.6 White	1
89489	RC8.2 FT Rear Swaybar, 2.7 Blue	1
89490	RC8.2 FT Rear Swaybar, 2.8 Yellow	1
89492	16mm Piston 5x1.1 + 5x1.2	4
89494	RC8B Light Diff Ring Gear, Includes Diff Gasket	1
89529	RC8.2e FT Motor Mount Set	1
89530	RC8.2 FT Front Swaybar Kit	1
89531	RC8.2 FT Rear Swaybar Kit	1
89532	RC8.2 FT Front Swaybar, 2.2 Green	1
89533	RC8.2 FT Front Swaybar, 2.3 White	1
89534	RC8.2 FT Front Swaybar, 2.4 Blue	1
89535	RC8.2 FT Front Swaybar, 2.5 Yellow	1
89536	RC8.2 Swaybar Pivot Ball w/setscrews	4
89537	RC8.2 Swaybar Drop Link w/pivots	4
89541	FT RC8.2 Front Spring Kit	1

**:: Factory Team and Option Parts - (cont.)**

89542	FT RC8.2 Front Spring, 4.00 Green	2
89543	FT RC8.2 Front Spring, 4.30 Silver	2
89544	FT RC8.2 Front Spring, 4.65 Blue	2
89545	FT RC8.2 Rear Spring Kit	1
89546	FT RC8.2 Rear Spring, 3.25 Green	2
89547	FT RC8.2 Rear Spring, 3.55 Silver	2
89548	FT RC8.2 Rear Spring, 3.75 Blue	2
89553	RC8.2 Front Hinge Pin, TiN	2
89554	HD Shock Shaft, 4x26mm	Pr.
89555	HD Shock Shaft, 4x36mm	Pr.
89556	RC8.2 Shock Boots, Front & Rear	1
89557	Pin Retainer O-Ring and Boot	2
89558	RC8.2 Caster Blocks, Left & Right	Pr.
89561	RC8.2 Mud Guards, Left & Right	Pr.
91069	Shock Mount Pin, Steel	4

**:: XP Electronics**

29126	S2008MG Servo	1
29145	XP SC1300-BL Brushless ESC	1
29166	XP DS1313 Digital Servo	1
29167	XP DS1015 Digital Servo	1
29209	Gear Set, DS1313	1
29210	Gear Set, DS1015	1
29211	Servo Case, DS1313/DS1015	1
29212	Accessory Pack, DS1313/DS1015	1
29217	TRS402SSi 2.4GHz 4Ch Receiver	1
29218	XP2-SSi 2.4GHz Radio System	1
29221	XP3-SS 2.4GHz Radio System	1
29222	TRS401SS 2.4GHz 4Ch Receiver	1

**:: LRP Chargers, Soldering Irons**

LRP41281	Quadra Pro 2 Charger	1
LRP41555	Pulsar Touch Competition Charger	1
LRP42103	LiPo Balance Board XH	1
LRP42104	LiPo Balance Board FP/TP	1
LRP42105	LiPo Balance Board PQ	1
LRP42305	Pulsar Touch Temperature Sensor	1
LRP43200	LRP Competition 20A Power Supply	1
LRP45200	LiPo Parallel Balancer	1
LRP65800	High Power Solder Station	1
LRP65802	Soldering Tip 5mm	1
LRP65803	Soldering Tip 1.2mm	1
LRP65804	Soldering Handle	1

**:: LRP 1/8 Brushless Systems**

LRP53230	Dynamic 8 Brushless Motor 1800KV	1
LRP53235	Dynamic 8 Brushless Motor 2000KV	1
LRP53240	Dynamic 8 Brushless Motor 2200KV	1
LRP80786	IX8/Dynamic 8 2200KV	1
LRP80787	IX8/Dynamic 8 1800KV	1
LRP80788	IX8/Dynamic 8 2000KV	1
LRP80880	IX8 Brushless ESC	1

**:: Reedy Accessories**

654	4.0mm plugs (2M, 2F)	1
655	4.0mm plugs (2M, 10F)	1
656	4.0mm plugs (10F)	1
657	4.0mm plugs (100F)	1
658	4.0mm plugs (10M)	1
659	4.0mm plugs (30M)	1
716	Reedy 09 Decal Set	1
978	Flat Sensor Wire 70mm	1
979	Flat Sensor Wire 110mm	1
980	Flat Sensor Wire 150mm	1
981	Flat Sensor Wire 200mm	1
982	Flat Sensor Wire 270mm	1
SP35M	Reedy Logo T-Shirt - White M	1
SP35L	Reedy Logo T-Shirt - White L	1
SP35XL	Reedy Logo T-Shirt - White XL	1
SP35XXL	Reedy Logo T-Shirt - White XXL	1
SP35XXXL	Reedy Logo T-Shirt - White XXXL	1
SP36M	Reedy Logo T-Shirt - Black M	1
SP36L	Reedy Logo T-Shirt - Black L	1
SP36XL	Reedy Logo T-Shirt - Black XL	1
SP36XXL	Reedy Logo T-Shirt - Black XXL	1
SP36XXXL	Reedy Logo T-Shirt - Black XXXL	1
SP37S	Reedy 2012 T-shirt - Black S	1
SP37M	Reedy 2012 T-shirt - Black M	1
SP37L	Reedy 2012 T-shirt - Black L	1
SP37XL	Reedy 2012 T-shirt - Black XL	1
SP37XXL	Reedy 2012 T-shirt - Black XXL	1
SP37XXXL	Reedy 2012 T-shirt - Black XXXL	1
SP38	Reedy Trucker Hat	1
SP39	Reedy Patch	1
SP418	Factory Team Car Carrier Bag	1

**:: Reedy Batteries**

302	AA Alkaline 1.5V (4)	1
303	AA 2700mAh NiMH 1.2V Rechargeable	1
626	LiPo 60C 5500mAh 14.8V	1
632	TX Lightweight Battery 1350mAh 11.1V	1
633	TX Battery - 3PK, M11 3000mAh 11.1V	1
634	TX Battery - Helios, Z1 2400mAh 11.1V	1
637	TX Battery - M11X 2500mAh 7.4V	1
733	Wolfpack LiPo 3700mAh 14.8V 35C w/DEANS®	1

**:: Apparel**

SP35**	Reedy 09' White T-Shirt (M, L, XL, 2XL, 3XL)	1
SP36**	Reedy 09' Black T-Shirt (M, L, XL, 2XL, 3XL)	1
SP62**	AE Vertigo Long Sleeve T-Shirt (S, M, L, XL, 2XL)	1
SP63**	AE Vertigo White T-Shirt (S, M, L, XL, 2XL, 3XL, 4XL)	1
SP64**	AE Vertigo Blue T-Shirt (S, M, L, XL, 2XL, 3XL, 4XL)	1
SP65**	AE Vertigo Black T-Shirt (S, M, L, XL, 2XL, 3XL, 4XL)	1
SP66**	AE Stencil Blue T-Shirt (S, M, L, XL, 2XL, 3XL, 4XL)	1
SP67**	AE Stencil Gray Sweatshirt (S, M, L, XL, 2XL, 3XL)	1
SP69**	AE 26 Time World Championship T-Shirt, Black (S, M, L, XL, 2XL, 3XL)	1
SP70**	Associated Windbreaker (S, M, L, XL, 2XL, 3XL)	1
SP71**	Associated Winter Jacket (S, M, L, XL, 2XL)	1
SP411S	AE Hat 11' Flatbill Black S/M	1
SP411L	AE Hat 11' Flatbill Black L/XL	1
SP413S	26 Time World Championship Hat S/M	1
SP413L	26 Time World Championship Hat L/XL	1
SP416	1/10 Car Carrier Bag Only	1
SP417	1/10 FT Motor Bag	1
SP420**	AE Pit Gloves (M, L, XL)	Pr.
715	Reedy 2009 Track Banner	1
110684	Team Associated Track Banner	1

\*\* Use part number plus the desired size when ordering!

**:: 1/18 Kits and RTR's**

20103	RC18B2 - RC18T2 Team Kit	1
20104	RC18T2 Brushless RTR (ready-to-run)	1
20108	RC18B2 Brushless RTR (ready-to-run)	1
20110	RC18MT RTR (ready-to-run)	1
20115	RC18R Kamino RTR (ready-to-run)	1
20118	RC18R Niteline RTR (ready-to-run)	1
20121	SC18 Brushless RTR (ready-to-run)	1
20130	RC18LM RTR (ready-to-run)	1

**:: 1/12, 1/10 Kits and RTR's**

2042	Nitro TC3 RTR Plus (ready-to-run)	1
4020	FT 12R5.2 Kit	1
7023	RC10T4.1 FT Kit	1
7029	SC10 Associated/RC10.com Truck RTR (ready-to-run)	1
7030	SC10 KMC Wheels Race Truck RTR (ready-to-run)	1
7032	SC10 Ready Lift RTR (ready-to-run)	1
7034	SC10 FT Kit	1
7037	RC10T4.1 RTR 2.4GHz Brushless (ready-to-run)	1
7046	SC10 RS RTR, 2.4ghz Brushless Lucas Oil Body	1
7047	SC10 RS RTR, 2.4ghz Brushless Monster Energy Body	1
7048	SC10 RS RTR, 2.4ghz Brushless Pro Comp Body	1
7049	SC10 RS RTR, 2.4ghz Brushless Rockstar/Makita Body	1
7080	FT GT2 Nitro Truck Kit	1
7092	GT2 RS Truck Nitro RTR (ready-to-run)	1
7093	SC10 GT Nitro RTR (ready-to-run)	1
8020	FT RC10R5 Kit	1
8021	FT RC10R5-OVAL Kit	1
9039	RC10B4.1 RTR 2.4GHz Brushless (ready-to-run)	1
9040	RC10B4.1 Worlds Kit	1
9061	FT B44.1 4WD Buggy Kit	1
30101	TC4 Club Racer	1
30107	FT TC6.1 4WD Touring Car Kit	1
30111	TC4 4WD Touring Car RTR (ready-to-run)	1
90004	SC10 4x4 Kit	1
90005	SC10 4x4 Lucas Oil RTR (ready-to-run)	1
90006	SC10 4x4 Pro Comp RTR (ready-to-run)	1
90007	SC10 4x4 Rockstar/Makita RTR (ready-to-run)	1
90010	SC10 4x4 FT Kit	1

**:: 1/8 Kits and RTR's**

20503	Limited Edition MGT 4.60 Nitro RTR, w/flag body (ready-to-run)	1
20504	Limited Edition MGT 8.0 Nitro RTR, w/flag body (ready-to-run)	1
80905	RC8RS "Race Spec" Nitro Buggy RTR (ready-to-run)	1
80906	RC8.2 FT Nitro Buggy Kit	1
80907	RC8.2e FT Electric Buggy Kit	1
80912	RC8T Championship Edition	1
80933	SC8.2e Short Course Race Truck Rockstar/Makita RTR (ready-to-run)	1
80934	SC8.2e Short Course Race Truck Slick Mist RTR (ready-to-run)	1

**:: Tools**

1111	FT Turnbuckle Wrench	1
1112	FT 4mm Turnbuckle Wrench (4x4 only)	1
1449	Offroad Ride Height Gauge	1
1450	FT Ride Height Gauge	1
1541	FT Hex Driver Set, (7 pcs)	1
1542	FT .050" Silver Hex Driver	1
1543	FT 1/16" Black Hex Driver	1
1544	FT 1.5mm Purple Hex Driver	1
1545	FT 5/64" Blue Hex Driver	1
1546	FT 3/32" Gold Hex Driver	1
1547	FT 2.5mm Green Hex Driver	1
1548	FT 3mm Red Hex Driver	1
1551	FT Screwdriver Set	1
1553	FT Phillips Silver Screwdriver	1
1554	FT Silver Spring Hook Tool	1
1561	FT Nut Driver Set, (6 pcs)	1
1562	FT 3/16" Black Nut Driver	1
1563	FT 1/4" Red Nut Driver	1
1564	FT 5.5mm Red Nut Driver	1
1565	FT 11/32" Green Nut Driver	1
1567	FT 8mm Gold Nut Driver	1
1589	FT 5/64" Blue Ball Hex Driver	1
1590	FT 3/32" Gold Ball Hex Driver	1
1592	FT Ball Hex Driver Set, (3 pcs)	1
1655	FT 8-Piece 1/4" Hex Drive Set	1
1656	FT 1/4" Hex Drive Handle, without tips	1
1657	FT 1/4" Hex Drive .050" Tip	1
1658	FT 1/4" Hex Drive 1/16" Tip	1
1659	FT 1/4" Hex Drive 5/64" - 2.0mm Tip	1
1660	FT 1/4" Hex Drive 3/32" Tip	1
1661	FT 1/4" Hex Drive 1.5mm Tip	1
1662	FT 1/4" Hex Drive 2.5mm Tip	1
1663	FT 1/4" Hex Drive 3/16" Nut Driver Tip	1
1664	FT 1/4" Hex Drive 1/4" Nut Driver Tip	1
1665	FT 1/4" Hex Drive 11/32" Nut Driver Tip	1
1666	FT 1/4" Hex Drive 5.5mm Nut Driver Tip	1
1667	FT 1/4" Hex Drive 7.0mm Nut Driver Tip	1
1668	FT 1/4" Hex Drive 8.0mm Nut Driver Tip	1
1669	FT 1/4" Hex Drive 5/64" - 2.0mm Ball End Tip	1
1670	FT 1/4" Hex Drive 3/32" Ball End Tip	1
1671	FT 1/4" Hex Drive Standard Screwdriver Tip	1
1672	FT 1/4" Hex Drive Phillips Screwdriver Tip	1
1673	FT 1/4" Hex Drive 2.5mm Ball End Tip	1
1674	FT 1/4" 5 Piece Power Tool Tips Set (5/64"-2.0mm, 1.5mm, 2.5mm, 5/64"- 2.0mm ball, 2.5mm ball)	1
1719	FT Camber + Track Width Tool	1
1737	FT Body Scissors	1
3718	12 Inch Nylon Wire Ties	12
3719	6 Inch Nylon Wire Ties	12
3720	8 Inch Nylon Wire Ties	12
3987	FT Droop Gauge	1
6429	Shock Building Tool	1
6956	Molded Tools, Set	1
7494	V2 Stamped Multi Tool	1
7709	4 Inch Nylon Wire Ties	12
91107	13mm Shock Tools	1

**:: RePlay Cameras**

RP001	Replay XD1080 Complete Camera System	1
RP002	Replay XD720 Complete Camera System	1
RP021	Replay XD1080 Lens Bezel Kit	1
RP022	Replay XD1080 Clear Lens Cover	1
RP023	Replay XD1080 Lens Bezel & Rear Cap O-Ring	1
RP029	Replay XD1080 HDMI to Mini-HDMI	1
RP030	Replay XD1080 Mini 8-pin USB Charge Data Cable	1
RP032	USB DC Car Charger 1A Stubby	1
RP033	USB DC Car Charger 500mAh	1
RP034	Micro SDHC USB Reader	1
RP036	3M VHB 4991 Mount Adhesive for SnapTray	1
RP037	3M VHB 5962 Mount Adhesive for Pro Flat Mount	1
RP038	3M VHB 5962 Mount Adhesive for SnapTray	1
RP041	Replay XD Suction Cup Arm Mini Clamp	1
RP042	Replay XD Suction Cup Short Arm Base	1
RP043	Replay XD Skateboard Mount	1
RP044	Replay XD VHB SnapTray, Convex	1
RP045	Replay XD VHB SnapTray, Flat	1
RP046	Au Plug for Universal DC Wall Charger	1
RP047	Eu Plug for Universal DC Wall Charger	1
RP048	Uk Plug for Universal DC Wall Charger	1
RP049	Universal USB DC Wall Charger 1A	1

**:: Contact Information**

**Associated Electrics, Inc.**  
**26021 Commercentre Drive**  
**Lake Forest, CA 92630-8853 USA**  
<http://www.TeamAssociated.com>  
<http://www.RC10.com>  
[http://twitter/Team Associated](http://twitter/TeamAssociated)  
<http://bit.ly/AEonFacebook>

**call: (949) 544-7500**

**fax: (949) 544-7501**

**Check out the following web sites for all of our electric kits, current products, new releases, setup help, tips, and racing info!**

**[www.TeamAssociated.com](http://www.TeamAssociated.com) - [www.RC10.com](http://www.RC10.com)**















**:: Notes**


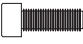












A large, empty rectangular area intended for taking notes, framed by a thin black border.

**:: Hardware - 1:1 Scale View**















**Flat Head (fhcs)**

-  **3x8mm (25201)**
-  **3x10mm (25202)**
-  **3x12mm (25203)**
-  **3x14mm (89208)**
-  **3x16mm (89224)**
-  **3x18mm (89209)**
-  **3x20mm (89210)**
-  **3x22mm (89455)**
-  **3x26mm (89211)**
-  **4x6mm (89213)**
-  **4x12mm (89214)**
-  **4x14mm (89217)**




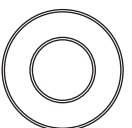
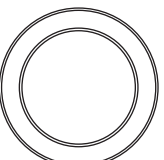
**Cap Head (shcs)**

-  **2.5x8mm (89222)**
-  **3x8mm (89223)**
-  **3x10mm (25620)**
-  **3x12mm (89454)**
-  **3x16mm (89224)**
-  **3x18mm (25191)**
-  **3x20mm (25192)**
-  **3x22mm (89474)**
-  **3x24mm (89225)**
-  **3x26mm (89226)**
-  **3x28mm (89227)**
-  **3x40mm (89228)**
-  **3x45mm (89279)**
-  **3x50mm (89452)**







**Button Head (bhcs)**

-  **2.5x3mm (89201)**
-  **2.5x6mm (31520)**
-  **3x6mm (31531)**
-  **3x10mm (25211)**
-  **3x12mm (89202)**
-  **3x14mm (25187)**
-  **3x16mm (89203)**
-  **3x18mm (2308)**
-  **3x20mm (25188)**
-  **3x24mm (89204)**
-  **3x26mm (89205)**
-  **3x35mm (89453)**
-  **4x10mm (89206)**
-  **4x12mm (89207)**






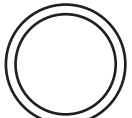
**Ball Bearings**

-  **steering bearing (89161)**
-  **5x10mm (25237)**
-  **6x10mm (31404)**
-  **8x16mm (25236)**
-  **15x21mm (89162)**

**Set Screws**

-  **3x3mm (25225)**
-  **3x5mm (89219)**
-  **3x10mm (4671)**
-  **4x5mm (25226)**
-  **4x12mm (89220)**
-  **5x4mm (89221)**

**Shims and Washers**

-  **Ballstud Washer (9630)**
-  **3x5.6mm Steel Washer (89528)**
-  **2.5mm Washer (89278)**
-  **3x8mm Thin Washer (89218)**
-  **Diff Washer (89120)**
-  **Diff Shim (89117)**

### Front Suspension

Anti Roll Bar: \_\_\_\_\_ Steering System: \_\_\_\_\_

- 2.2mm Black  Stock Rack   
 2.5mm Silver  Swing Rack   
 2.8mm Gold  Bellcrank Rack   
 3.0mm Black

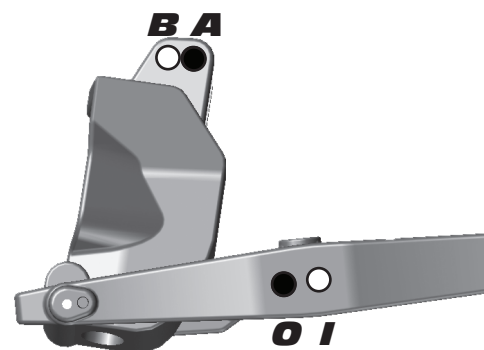


Bumpsteer Washers: 0

Camber: -1

Caster: 16 deg

Toe: 0



Ride Height: 29mm

**Upper Hinge Pin Bushing**

Front # 2 dot  
 Up  Down

Rear # 2 dot  
 Up  Down

**B-Plate Type**

Low  Original

**Kickup Bushing A-Plate**

# 2 dot  
 Up  Down

### Rear Suspension

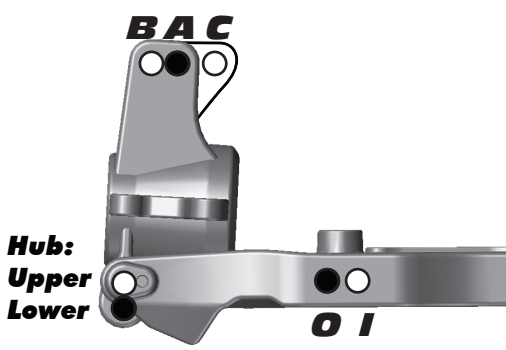
Anti Roll Bar: \_\_\_\_\_

- 2.2mm Black   
 2.5mm Silver   
 2.8mm Gold   
 3.0mm Black

Wheelbase: \_\_\_\_\_

- Long   
 Medium   
 Short

Camber: -2



Ride Height: 29mm

**Toe Bushing D-Plate**

# 3 degree  
 In  Out

**Squat Bushing C-Plate**

# 2 dot  
 Up  Down

### Front Shocks

Spring: Front 4.7 Shock Cap: Alum.  
 Shock Fluid: 40 weight Length: \_\_\_\_\_  
 Piston: 16mm Rebound: None

### Rear Shocks

Spring: Bronze 4.0 Shock Cap: Alum.  
 Shock Fluid: 40 weight Length: \_\_\_\_\_  
 Piston: 16mm Rebound: None

### Chassis Braces / Wheel Hex

Chassis Braces: \_\_\_\_\_ Wheel Hex: \_\_\_\_\_  
 Pivot  Narrow   
 Molded  Wide   
 Aluminum

### Chassis Weight

Weight: \_\_\_\_\_  
 \_\_\_\_\_  
 \_\_\_\_\_

### Rear Hubs

Rear Hubs: \_\_\_\_\_  
 Standard   
 CNC FT Alum.

### Differentials

Front Diff Fluid: 5,000  
 Center Diff Fluid: 5,000  
 Rear Diff Fluid: 5,000  
 Notes: \_\_\_\_\_

### Drivetrain

Dogbone:  \_\_\_\_\_  
 CVA:  \_\_\_\_\_

### Gearing

Spur Gear: 46T - Plastic  
 Pinion: 17T

### Motor / ESC / Batteries

Motor & Wind: \_\_\_\_\_  
 ESC: \_\_\_\_\_  
 ESC Setting: \_\_\_\_\_  
 Batteries: \_\_\_\_\_

### Tires

Tire (F/R): \_\_\_\_\_ / \_\_\_\_\_  
 Compound (F/R): \_\_\_\_\_ / \_\_\_\_\_  
 Inserts (F/R): \_\_\_\_\_ / \_\_\_\_\_  
 Wheel (F/R): \_\_\_\_\_ / \_\_\_\_\_  
 Notes: \_\_\_\_\_

### Radio / Servos

Radio: \_\_\_\_\_  
 Steering Servo: \_\_\_\_\_ Steering Expo: \_\_\_\_\_  
 Brake Expo: \_\_\_\_\_  
 Initial Brake: \_\_\_\_\_ Drag Brake: \_\_\_\_\_  
 Dual Rate: \_\_\_\_\_

### Race and Vehicle Comments

Qualify: \_\_\_\_\_ Main: \_\_\_\_\_ Finish: \_\_\_\_\_ TQ: \_\_\_\_\_  
 Comments: \_\_\_\_\_  
 \_\_\_\_\_  
 \_\_\_\_\_

### Track Info

Traction: High  Medium  Low   
 Surface: Smooth  Bumpy  Blue Groove   
 Soft Dirt  Grass  Clay  Wet   
 Astroturf  Dusty  Other: \_\_\_\_\_

### Front Suspension

**Anti Roll Bar:**

**Steering System:**

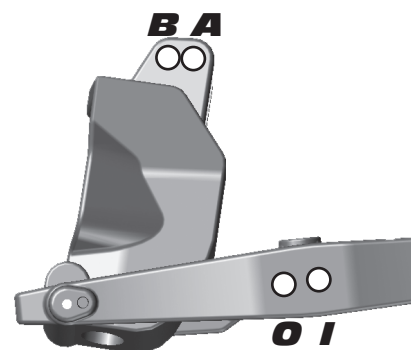
- 2.2mm Black  Stock Rack   
 2.5mm Silver  Swing Rack   
 2.8mm Gold  Bellcrank Rack   
 3.0mm Black   back mid front

**Bumpsteer Washers:** \_\_\_\_\_

**Camber:** \_\_\_\_\_

**Caster:** \_\_\_\_\_

**Toe:** \_\_\_\_\_



**Ride Height:** \_\_\_\_\_

**Upper Hinge Pin Bushing**

Front # \_\_\_\_\_  
 Up  Down

Rear # \_\_\_\_\_  
 Up  Down

**B-Plate Type**

Low  Original

**Kickup Bushing A-Plate**

# \_\_\_\_\_  
 Up  Down

### Rear Suspension

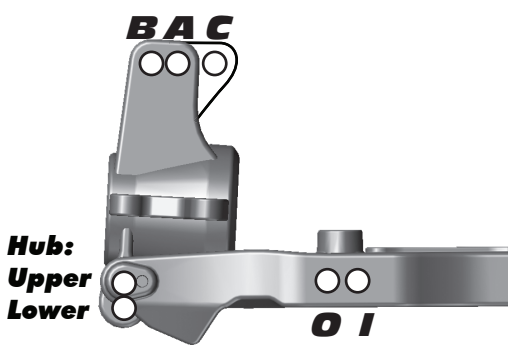
**Anti Roll Bar:**

- 2.2mm Black   
 2.5mm Silver   
 2.8mm Gold   
 3.0mm Black

**Wheelbase:**

- Long   
 Medium   
 Short

**Camber:** \_\_\_\_\_



**Ride Height:** \_\_\_\_\_

**Toe Bushing D-Plate**

# \_\_\_\_\_  
 In  Out

**Squat Bushing C-Plate**

# \_\_\_\_\_  
 Up  Down

### Front Shocks

Spring: \_\_\_\_\_ Shock Cap: \_\_\_\_\_  
 Shock Fluid: \_\_\_\_\_ Length: \_\_\_\_\_  
 Piston: \_\_\_\_\_ Rebound: \_\_\_\_\_

### Rear Shocks

Spring: \_\_\_\_\_ Shock Cap: \_\_\_\_\_  
 Shock Fluid: \_\_\_\_\_ Length: \_\_\_\_\_  
 Piston: \_\_\_\_\_ Rebound: \_\_\_\_\_

### Chassis Braces / Wheel Hex

Chassis Braces:  Wheel Hex:   
 Pivot  Narrow   
 Molded  Wide   
 Aluminum

### Chassis Weight

Weight: \_\_\_\_\_  
 \_\_\_\_\_  
 \_\_\_\_\_

### Rear Hubs

Rear Hubs:   
 Standard   
 CNC FT Alum.

### Differentials

Front Diff Fluid: \_\_\_\_\_  
 Center Diff Fluid: \_\_\_\_\_  
 Rear Diff Fluid: \_\_\_\_\_  
 Notes: \_\_\_\_\_

### Drivetrain

Dogbone:  \_\_\_\_\_  
 CVA:  \_\_\_\_\_

### Gearing

Spur Gear: \_\_\_\_\_  
 Pinion: \_\_\_\_\_

### Motor / ESC / Batteries

Motor & Wind: \_\_\_\_\_  
 ESC: \_\_\_\_\_  
 ESC Setting: \_\_\_\_\_  
 Batteries: \_\_\_\_\_

### Tires

Tire (F/R): \_\_\_\_\_ / \_\_\_\_\_  
 Compound (F/R): \_\_\_\_\_ / \_\_\_\_\_  
 Inserts (F/R): \_\_\_\_\_ / \_\_\_\_\_  
 Wheel (F/R): \_\_\_\_\_ / \_\_\_\_\_  
 Notes: \_\_\_\_\_

### Radio / Servos

Radio: \_\_\_\_\_  
 Steering Servo: \_\_\_\_\_ Steering Expo: \_\_\_\_\_  
 Brake Expo: \_\_\_\_\_  
 Initial Brake: \_\_\_\_\_ Drag Brake: \_\_\_\_\_  
 Dual Rate: \_\_\_\_\_

### Race and Vehicle Comments

Qualify: \_\_\_\_\_ Main: \_\_\_\_\_ Finish: \_\_\_\_\_ TQ: \_\_\_\_\_  
 Comments: \_\_\_\_\_  
 \_\_\_\_\_  
 \_\_\_\_\_

### Track Info

**Traction:** High  Medium  Low   
**Surface:** Smooth  Bumpy  Blue Groove   
 Soft Dirt  Grass  Clay  Wet   
 Astroturf  Dusty  Other: \_\_\_\_\_





**Associated Electrics, Inc.  
26021 Commercentre Dr.  
Lake Forest, CA 92630 USA**

**<http://www.TeamAssociated.com>**

**<https://www.RC10.com>**

**[https://twitter/Team\\_Associated](https://twitter/Team_Associated)**

**<https://bit.ly/AEonFacebook>**

**call: (949) 544-7500 - fax: (949) 544-7501**

**Check out the following web sites for all of our kits,  
current products, new releases, setup help, tips, and racing info!  
[www.TeamAssociated.com](http://www.TeamAssociated.com) - [www.RC10.com](http://www.RC10.com)**